

ROTARY UNION

1700 SERIES

HIGH PRESSURE SWIVEL



Operating Parameters

MEDIA

Water, Air, Hydraulic Fluid

PRESSURE*

5,075 psi

TEMPERATURE*

248° F

SPEED*

80 RPM

THREADS

- 1/4 Inch to 3 Inch NPT
- BSP & BSPP Available

MATERIAL

Nickel Plated Steel

*See Performance Charts for Details

FEATURES & BENEFITS

High Pressure Applications

- High pressure swivel for use in hydraulic and pneumatic applications.

Corrosion Resistant

- Standard models feature nickel treated carbon steel construction, but are also available in all stainless steel.

GR Seal Technology

- Equipped with a GR seal, which is suitable for most fluids.

Thrust Bearings

- A single acting thrust bearing permits slow rotation at high pressures.

Part Numbers - 1700 Series HP Swivel

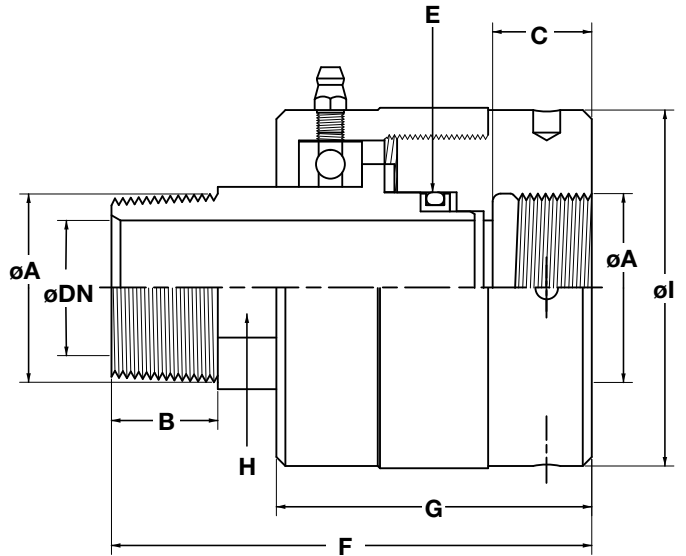
Nominal Pipe Size (DN)	Shaft Thread (A)	Part Number	Description
1/4	1/4	750788C	R1813SRKNPT
3/8	3/8	750789C	R1817SRKNPT
1/2	1/2	750790C	R1821SRKNPT
3/4	3/4	750791C	R1827SRKNPT
1	1	750792C	R1834SRKNPT
1-1/8	1-1/4	750793C	R1842SRKNPT
1-1/2	1-1/2	750794C	R1849SRKNPT
1-3/4	2	750795C	R1860SRKNPT
2-1/4	2-1/2	750796C	R1876SRKNPT
2-3/4	3	750797C	R1890SRKNPT

Maximum Operating Pressure (psi)

Nominal Pipe Size (DN)	Shaft Thread (A)	Maximum Pressure (psi)
1/4	1/4	5,075
3/8	3/8	
1/2	1/2	4,350
3/4	3/4	
1	1	3,625
1-1/8	1-1/4	
1-1/2	1-1/2	2,900
1-3/4	2	
2-1/4	2-1/2	2,175
2-3/4	3	

Dimensions - 1700 Series HP Swivel (Inch)

Nominal Pipe Size (DN)	Shaft Thread (A)	B	C	Overall Length (F)	G	Flats (H)	Overall Dia. (I)
1/4	1/4	1/2	7/16	2-5/8	1-3/4	1/2	1-3/8
3/8	3/8	1/2	1/2	2-3/4	1-15/16	1/2	1-1/2
1/2	1/2	5/8	9/16	3-1/8	2-3/16	3/4	2-1/16
3/4	3/4	3/4	5/8	3-1/2	2-1/2	1	2-1/4
1	1	7/8	3/4	3-3/4	2-9/16	1-1/4	2-1/2
1-1/8	1-1/4	1	3/4	4-3/16	2-3/4	1-1/2	3
1-1/2	1-1/2	1	3/4	4-9/16	3-1/8	1-3/4	3-3/8
1-3/4	2	1-1/8	1	5.12	3-1/4	2-1/4	4
2-1/4	2-1/2	1-1/8	1	5-5/8	3-3/4	2-3/4	5-1/8
2-3/4	3	1-1/4	1-1/8	7-1/8	4-13/16	3-3/8	6-1/8



Performance Charts

