

MA430 - SERIES



HEAVY DUTY ABSOLUTE ENCODER Ø 115 MM, SINGLE OR MULTI-TURN SSI

Encoder with EURO-flange B10 in stainless steel AISI 316

- Offshore and salt water firm
- Ø 115 mm, B10 stainless steel AISI 316
- Ø 11 mm shaft with key, stainless steel 1.4057
- SSI Absolute interface
- Enlarged sturdy bearings
- Short circuit and reversed polarity proof
- Dust and splash proof IP67
- High resolution up to 30 bit
- Optional incremental output with TTL or HTL
- Optional anodized aluminium enclosure



*Flexible and durable
encoder for demanding
applications*

CE File E342441

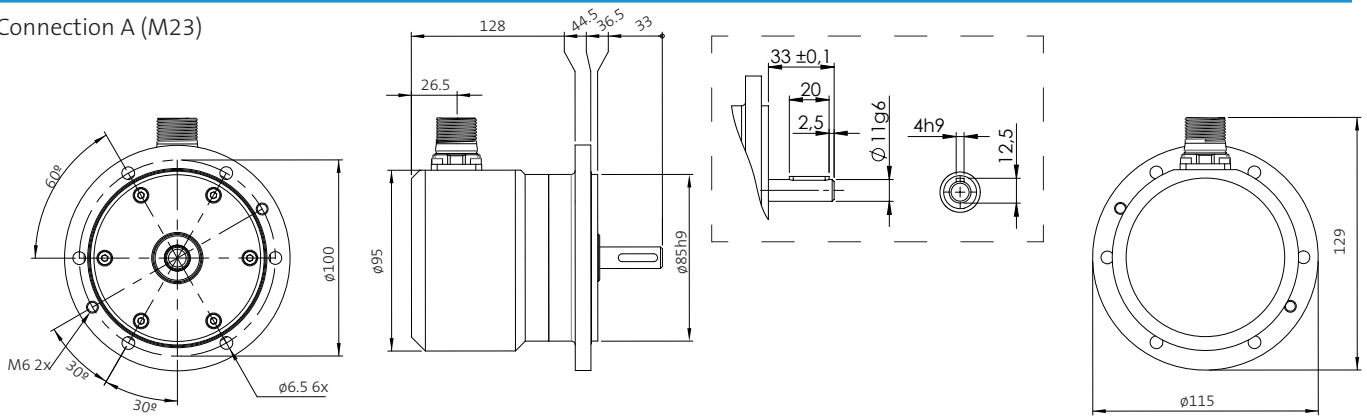


Conforms to european EMC directive
89/336/EEC standards:
EN61000-6-4 emission in industrial environments
EN61000-6-2 immunity in industrial environments

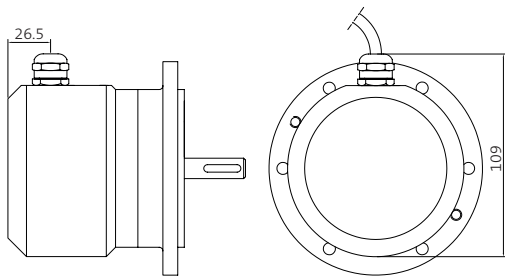
ABSOLUTE SSI ENCODER, SINGLE/MULTI-TURN

MA430

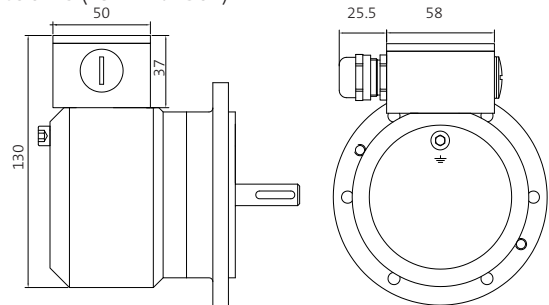
Connection A (M23)



Connection B (Cable gland)



Connection C (Terminal box)



ELECTRICAL SPECIFICATIONS

Supply Voltage	4,5–30 VDC (SELV)
Clock Input	RS-422 Compatible via Optocoupler
Clock Frequency	100 kHz to 2MHz
Output Circuit	Linedriver RS422A compatible
Resolution Singleturn	12, 13 or 16 bit
Revolutions Multturn	12 or 14 bit
Multiturn Technology	Mechanical Gear
Singleturn Accuracy	±½ LSB (up to 12 bit)
Cycle Time	> 25µs
Power Consumption	Max. 1,5W

MECHANICAL SPECIFICATIONS

Hausing	Stainless steel AISI 316
Shaft	Stainless steel 1.4057
Encapsulation	IP67
Operating temperature	-30°C to +70°C
Bearings	Permanently greased
Bearing load at	1 000 rpm
Radial	<350 N
Axial	<250 N
Max rpm	3 000 rpm
Vibration	10g 20-2000 Hz (EN60068-2-6)
Shock	100g at 6 ms (EN60068-2-27)
Weight	3,6 kg (AISI316), 1,5 kg (Aluminium)

CONNECTION	A	B	C
Signal	Pin	Color	Pin
Clock +	2	Green	2
Clock -	1	Yellow	3
Data +	3	Gray	4
Data -	4	Pink	5
Direction	8	Red	6
Preset	9	Blue	7
A	5	Black	9
A inv	6	Violet	10
B	7	Gray-Pink	11
B inv	10	Red-Blue	12
Z	13	White-Green	13
Z inv	14	Brown-Green	14
+V	11	Brown	1
0 V	12	White	16
Gnd	Chassis	Shield	Chassis

ORDERING KEY

Model - Material - Connection - Interface - Resolution - Code type - Incremental type - Pulse rate incremental

Model	MA430	
Material	S	Stainless Steel
	A	Aluminium
Connection	A	16-pin M23 Male Connector CW
	B	Radial Cable 5 meter length
	C	Terminal box, for 6-12mm cable
Interface	S	SSI
Resolution		
Multi Turn	YY	YY bit (00 indicates single turn)
Single Turn	ZZ	ZZ bit
Code type	B	Binary
	G	Gray
Incremental type	0	No incremental signals
	T	TTL
	H	HTL
Pulse rate incr.	0	No incremental signals
	A	1024 ppr
	B	2048 ppr

Sample ordering key

MA430-SA-S0012G00

MA430-SA-S1213G00

MA430-SA-S1213GHA

SSI, Single turn

SSI, Multi turn, 16 pin M23

SSI & Incremental HTL with 1024ppr



Skogsvägen 1, SE-645 34 Strängnäs, Sweden

Tel: +46 152 33 11 90 Fax: +46 152 33 11 91

E-mail: info@emetaencoders.com

www.emetaencoders.com