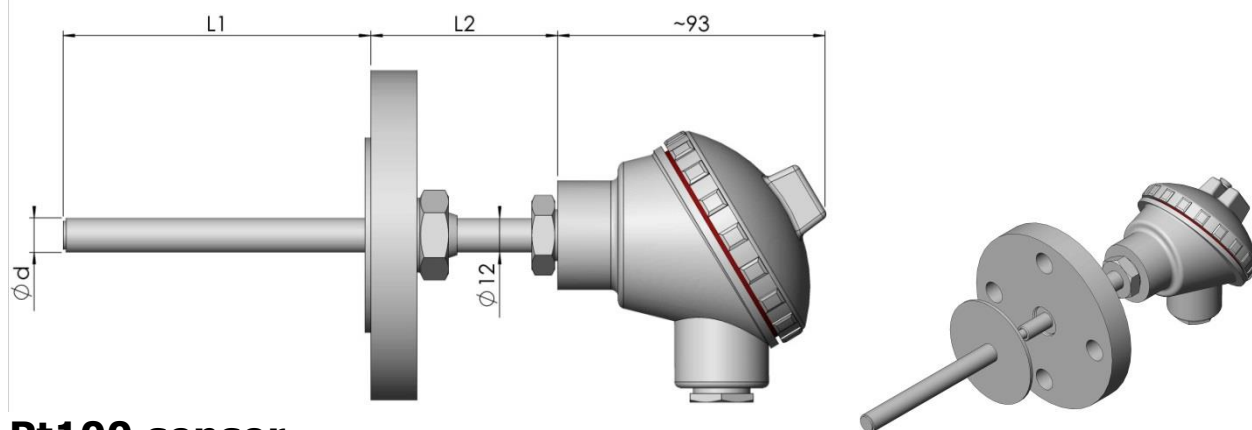


Subject to change without prior notice.



Pt100 sensor Y thermowell, flange and terminal head

Model 7860000, built on order

Construction

The measurement insert consists of flange and terminal head and is intended to be used with a so called Y thermowell. The thin flange of the thermowell is to be squeezed between the sensor's flange and the flange of the process vessel.

Example of use

The thermowell is usually used to protect the sensor from chemically aggressive environments.

Maximum temperature

Measuring probe: 250 °C or 600 °C depending on probe construction.

Probe insert, replaceable

Pt100 resistor (IEC 60751)
Pt100 class A
Pt100 1/3 DIN
Pt100 1/5 DIN
Pt100 1/10 DIN

Model	Max. temperature
7264001	250 °C
7264200	600 °C

Diameter: Adjusted to the measures of the Y thermowell.

Length = L1+L2+27 mm

Y thermowell

Ø d, mm	Material
Ø10, 12, 13,72	Hasteloy. C-276:
Ø10	Titanium Gr2
On request	Tantalum

Process connection

Flange according to DIN 2527
Material EN 1.4404/1.4432/1.4435

Dimensions	Pressure class
DN10...DN150	PN16 (=PN10) PN40 (=PN25)
DN200...DN300	PN10, PN16, PN25, PN40

For other alternatives please contact Pentronic.

Terminal head

Adjustable.
Cable gland M20x1.5.

Typ	Lock	Material
DNAG	Screw-on lid	Grey lacquered aluminium
Form B	Lid fixed with two screws	Grey lacquered aluminium
DAN	Hinge lid	Grey lacquered aluminium
BBK	Screw-on lid	Glass fiber armoured Polyamid
SEG	Screw-on lid	Rostfritt stål

For other alternatives please contact Pentronic.

Signal connection
Stripped wires
Transmitter. To be specified separately!
Terminal block

Connection
4 wire
3 wire
2 wire

Certificate

Test value: Certificate EN10204 3.1

Please contact Pentronic for advice.

150205 Pentronic 7860000 En