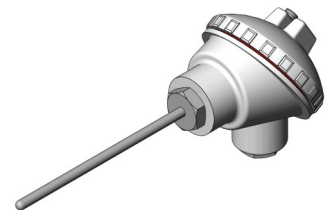


## Pt100-sensor with terminal head

### Model 7510000, in stock



#### Design

Pt100 element mounted in MI-cable

#### Example of use

Temperature measurements of gases and liquids in processes

#### Max. temp.

Probe: 600°C

#### Material

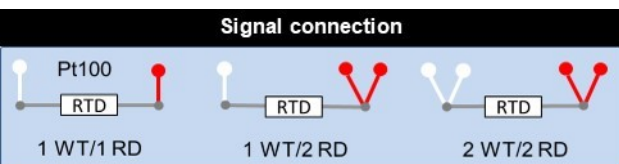
Probe: 1.4436

#### Resistor

Pt100, IEC 60751, Class A

#### Terminal head

Fixed mounted head  
DNAG as per image above  
Cable gland M20x1.5



#### Certificate

Test value: Certificate EN10204 3.1

#### Accessories

Process connections, search models:  
Compression fitting G1/4" Model 9042000  
Compression fitting G1/2" Model 9043000  
Compression fitting 1/4" NPT Model 9046000  
Compression fitting 1/4" NPT Model 9047000

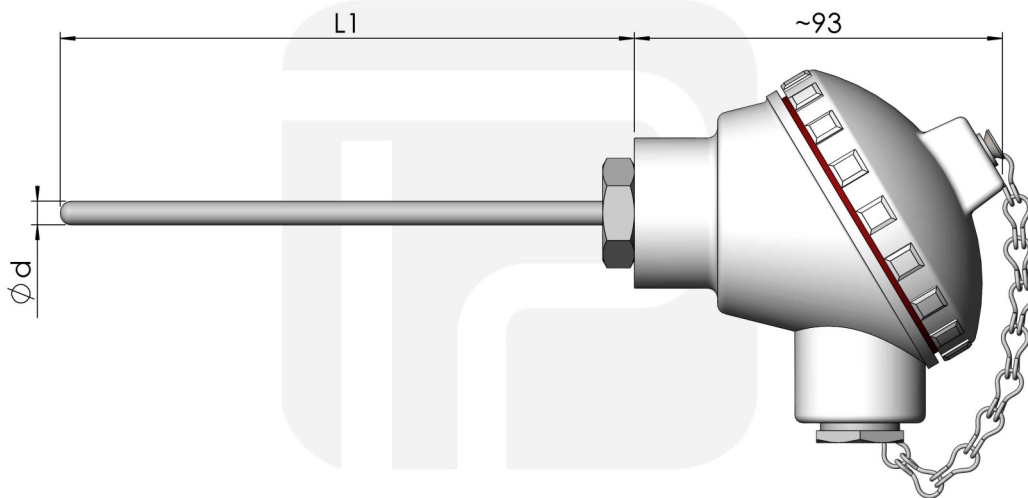


#### Parts in stock

Part No	Probe Ød (mm)	Probe length L1 (mm)	Signal connection*
7514001-167	6	148	Flying leads
7514001-140	6	148	Transmitter
7514001-124	6	148	Block
7514001-183	6	208	Flying leads
7514001-184	6	208	Transmitter
7514001-148	6	208	Block
7514001-185	6	228	Flying leads
7514001-186	6	228	Transmitter
7514001-153	6	228	Block
7514001-187	6	288	Flying leads
7514001-166	6	288	Transmitter
7514001-160	6	288	Block
7514001-177	6	348	Flying leads
7514001-192	6	348	Transmitter
7514001-191	6	348	Block
7514001-193	6	378	Flying leads
7514001-171	6	378	Transmitter
7514001-165	6	378	Block
7514001-195	6	408	Flying leads
7514001-196	6	408	Transmitter
7514001-194	6	408	Block
7514001-197	6	448	Flying leads
7514001-198	6	448	Transmitter
7514001-180	6	448	Block
7514001-199	6	528	Flying leads
7514001-200	6	528	Transmitter
7514001-173	6	528	Plint

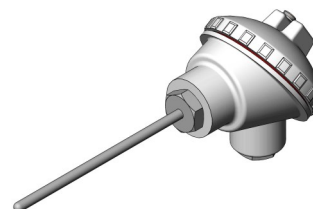
\*) Transmitter to be specified separately

Can't you find suitable sensors in the table? Contact Pentronic



## Pt100-sensor with terminal head

### Model 7510000, built on order



#### Design

Pt100 element mounted in protection tube or MI-cable  
Terminal head

#### Example of use

Temperature measurements of gases and liquids

#### Max. temp.

Probe: 250°C with protection tube  
600°C with MI-cable

#### Length

L1 as required

#### Pt100 resistor (IEC 60751)

Pt100 Class A  
Pt100 1/3 DIN  
Pt100 1/5 DIN  
Pt100 1/10 DIN

#### Material measuring probe

Ø d (mm)	Specifications	Material
4.5	MI-cable	EN 1.4436
6	Protection tube	EN 1.4404
6	MI-cable	EN 1.4436
8	Protection tube	EN 1.4435

For other alternatives, contact Pentronic

#### Terminal head

Fixed mounted head. Cable gland M20x1.5

Type	Lid	Material
DNAG	Screw-on lid	Grey lacquered aluminium
Form B	Lid with fastening screws	Grey lacquered aluminium
DAN	Hinge lid	Grey lacquered aluminium
BBK	Screw-on lid	Glas fiber armoured Polyamid
BEG	Screw-on lid	Stainless steel

#### Signal connection



#### Connection options

Flying leads  
Transmitter\*  
Terminal block

\*) Transmitter to be specified separately

#### Certificate

Test value: Certificate EN10204 3.1

#### Accessories

Example of process connections, search models:

- Compression fitting G1/8" Model 9041000
- Compression fitting G1/4" Model 9042000
- Compression fitting G1/2" Model 9043000
- Compression fitting 1/4" NPT Model 9046000
- Compression fitting 1/2" NPT Model 9047000
- Compression fitting 1/8" NPT Model 9041000

