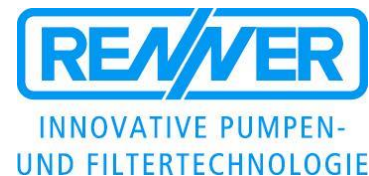


DATASHEET

Magnetically coupled pump

RM1 – 2/20

Motor output
60W 1-ph. and 3-ph.
2900 or 3450 rpm [2-pol.]




Magnetically coupled, centrifugal pumps, single-stage, horizontal, non self-priming, made in monobloc design.

| | | RM1 - 2/20 |
|--------------------------------|----------------------|------------|
| Motor output | [W] | 60 |
| Rated current @ 230V 50Hz 1ph. | [A] | 0,7 |
| Rated current @ 400V 50Hz 3ph. | [A] | 0,24 |
| Head max. | [mWS] | 2 |
| Capacity max. | [l/min.] | 16 |
| Density max. @ Qmax | [g/cm ³] | 2,0 |

Materials:



Technical data

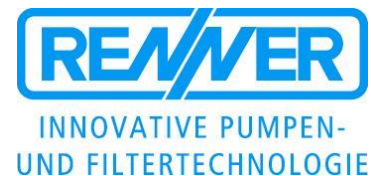
| | | | |
|-------------------------|--|-------------------------------|--|
| Medium-temperature max. | PP PVDF Stainless | 80 °C 95 °C 100 °C | <div style="text-align: center;"> <h4>Flow curves RM1 - 2/20</h4> <p>Speed: 2900 rpm @ 50Hz or 3450 rpm @ 60Hz</p> <p>Values based on water at 20 °C (68 °F) / Measured value +/- 10%</p> <p>Subject to technical alterations !</p> </div> |
| System-pressure max. | PP PVDF Stainless | 1,0 bar 2,0 bar 8,0 bar | |
| Viscosity | < 160 Pa s | | |
| Elektrical motor | 3-ph. motors, 50 and 60Hz, IE2, IE3 or IE4 Protection IP55, Isolationclass F , Chemical resistant 2K- painting RAL5011 | | |
| Optional | <i>Thermal protection, other voltages / frequencies, UL, CSA, Special paintings and colors</i>  | | |
| | | | |

DATASHEET

Magnetically coupled pump

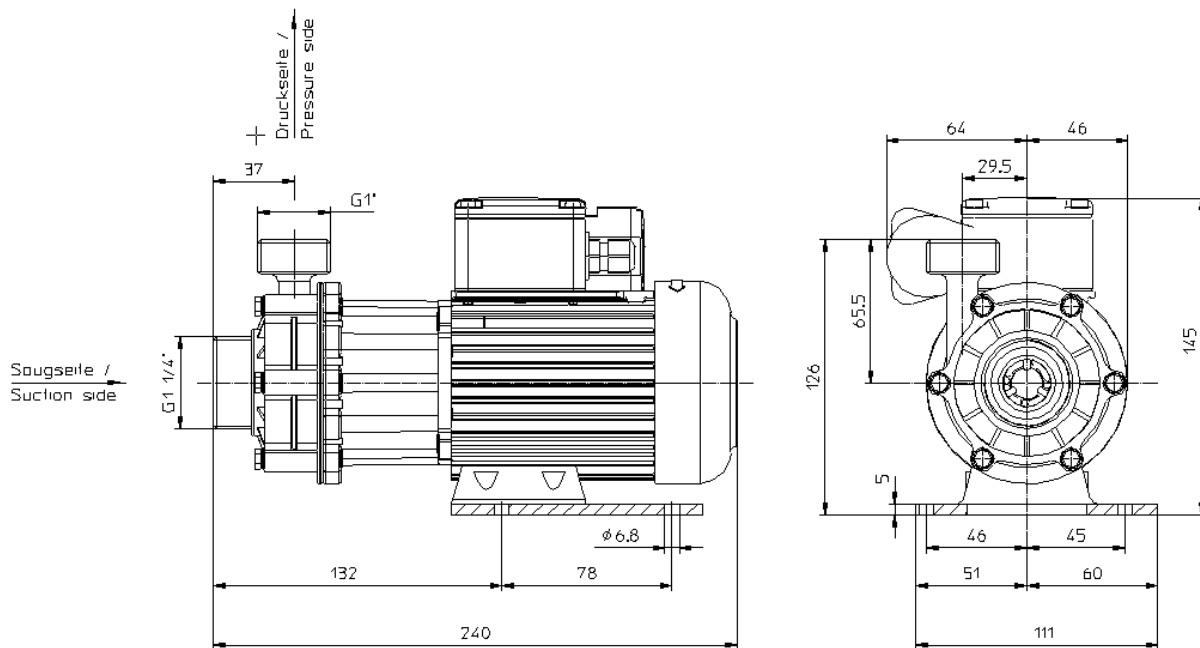
RM1 – 2/20

Motor output
60W 1-ph. and 3-ph.
2900 or 3450 rpm [2-pol.]

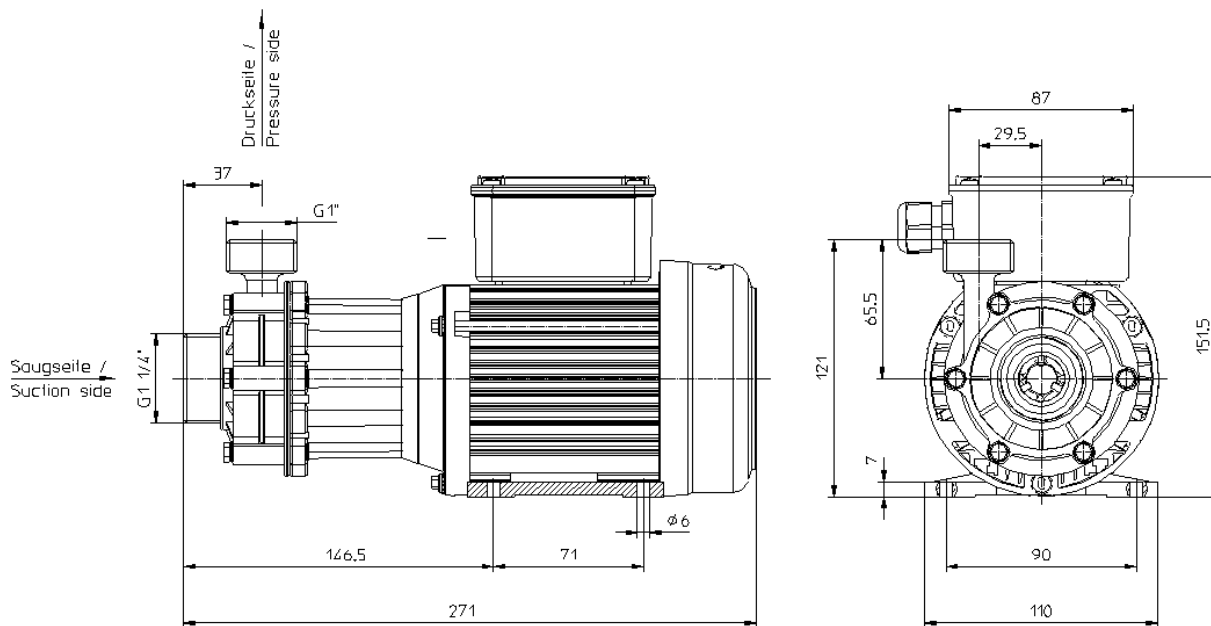


Dimensional drawings [mm]

Single-phase alternating current (1-ph.)



Three-phase alternating current (3-ph.)

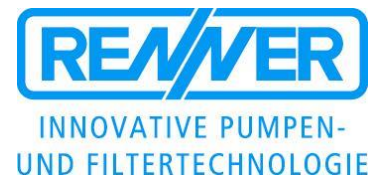


Motor dimensions can be different ! • Subject to technical alterations !


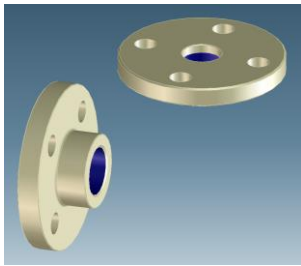
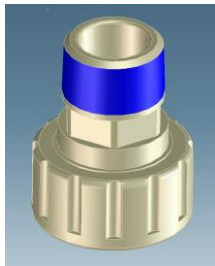
DATASHEET
Magnetically coupled pump

RM1 – 2/20

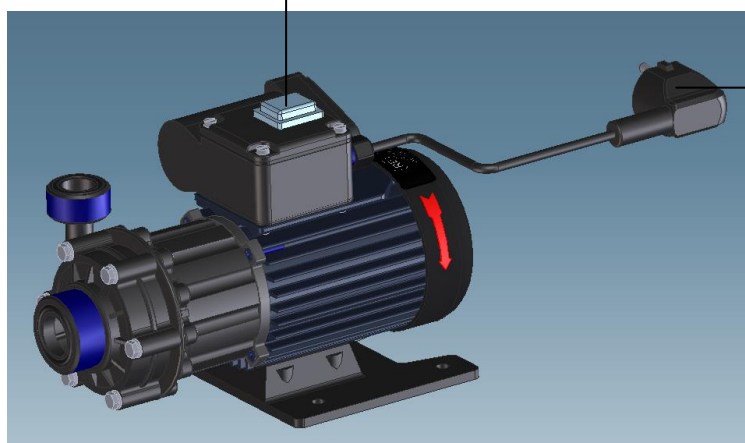
Motor output
 60W 1-ph. and 3-ph.
 2900 or 3450 rpm [2-pol.]



Accessories / Options

| Hose connection | Flange (DIN, ANSI) | NPT - Adapter |
|---|--|---|
|  <p>13mm 18mm 21mm</p> |  <p>DN20 PN10 (DIN EN 1092-3) DN25 PN10 (DIN EN 1092-3) 0,75" (ANSI Class 150) 1" (ANSI Class 150)</p> |  <p>NPT (M) 1" NPT (M) 3/4"</p> |

On-/Off - switch



3m cabel + plug connector

Subject to technical alterations !