

## 5200L-5205L

## TENSION LINK LOAD CELLS

Tension link load cells specially designed for load limitation on hoisting devices.



Model 5205L - 10 t



### Features

- o Sturdy design
- o Breaking load > 500 %
- o CE certified for hoisting devices
- o Protection class: IP66
- o Material: stainless steel (5200L), nickel-plated steel (5205L)
- o Easy to install (standard shackles)
- o Cable length: 0.5...5 t: 3 m (other lengths available on request)  
10 t: 6 m (other lengths available on request)
- o Complete range of CE certified electronics and load limiters available

### Most popular options



Ex i



IP67  
MARINE



### Application(s)

SENSY's load cells 5200L-5205L are perfectly designed for the following applications:

- Hoisting devices and crane security in combination with load limitation electronics (e.g.: BRIDGE-BOY, CRANE-BOY, ...),
- Tensile monitoring on winches,
- Load limitation for lifts.

### Capacities

5200L: (0.5) - (0.75) - (1.5) - (3) - (5) - (10) - (15) t  
5205L: 0.5 - 0.75 - 1.5 - 3 - 5 - 10 - 15 t

Specifications	SL - HOIST	SL - LIFT	
Combined error (non-linearity + hysteresis)	< ± 1	< ± 1	% F.S.*
Creep error over 30 min.	<± 0.3	<± 0.2	% F.S.*
Zero shift after loading	<± 0.5	<± 0.5	% F.S.*
Reference temperature	23	23	°C
Compensated temperature range	-10...+45	-10...+45	°C
Service temperature range	-25...+70	-25...+70	°C
Storage temperature range	-50...+85	-50...+85	°C
Temperature coefficient of the sensitivity	<± 0.2	<± 0.2	% F.S./10°C
Temperature coefficient of zero signal	<± 0.2	<± 0.2	% F.S./10°C
Zero balance	± 0.02	± 0.02	mV/V
Nominal sensitivity	± 1	± 0.5	mV/V
Input resistance	350 ± 2	350 ± 2	ohm(s)
Output resistance	350 ± 2	350 ± 2	ohm(s)
Insulation resistance (50 V)	> 5000	> 5000	Mohm(s)
Reference excitation voltage	10	10	VDC
Permissible nominal range of excitation voltage	3...12	3...12	VDC
Safe load limit	200	300	% F.S.*
Breaking load	> 500	> 1000	% F.S.*
Permissible dynamic loading	75	100	% F.S.*

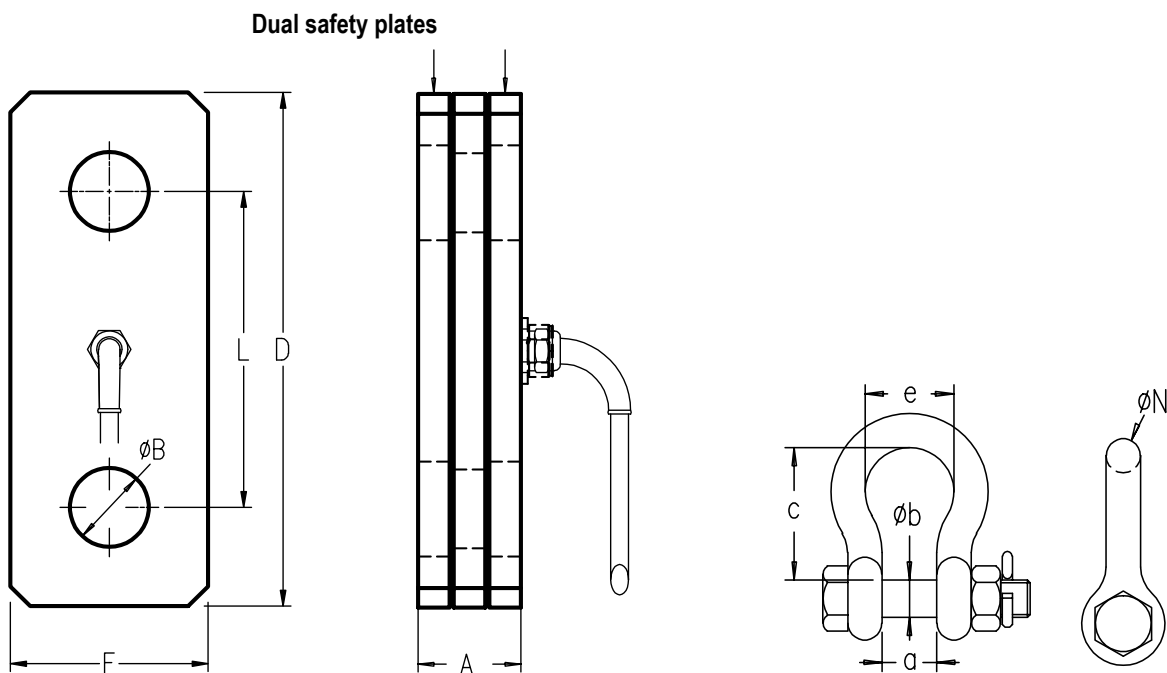
\* F.S. : Full Scale.

Specifications subject to change without notice.



ISO 9001 certified

5200L-5205L > STANDARD DIMENSIONS



Dual safety plates

LOAD CELLS									
Ref. Item*	Capacities		Range (t)	A±1	ØB	L	D	E	Weight (kg)
	Hoist > 500 %**	Lift > 1000 %**							
520xL-A	0.5 t	0.25 t	0.325 - 0.65	13	11.5	65	94	40	0.3
520xL-A	0.75 t	0.4 t	0.5 - 0.95	13	11.5	65	94	40	0.3
520xL-B	1.5 t	0.75 t	1 - 1.9	20	16.5	65	105	40	0.5
520xL-C	3 t	1.5 t	2 - 3.75	25	19.5	90	135	50	1.1
520xL-D	5 t	2.5 t	3.3 - 6.35	35	26	110	175	60	2.5
520xL-E	10 t	5 t	6.6 - 12	47	36	185	275	80	7.2
520xL-F	15 t	7.5 t	10 - 19	47	42	195	300	100	9.9

\*x=Material: 5200L - stainless steel; 5205L - nickel-plated steel  
 \*\* Breaking load (% full scale)

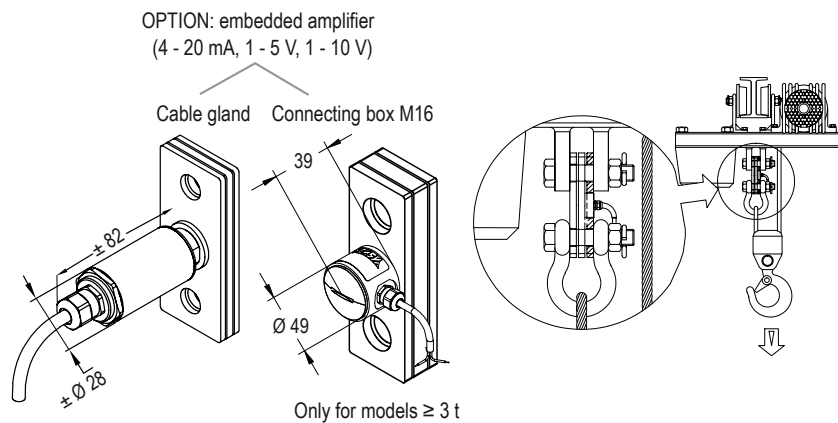
ASSOCIATED SHACKLES					
S.W.L.***	a	Øb	c	e	ØN
1 t	16.8	11.2	36.5	26.1	9.65
2 t	20.6	16	47.7	33.3	12.7
3.25 t	26.9	19.1	60.5	42.9	17.5
6.5 t	36.6	25.4	84	58	24.6
12 t	51.5	35.1	119	82.5	33.1
17 t	60.5	41.4	146	98.5	41.2

\*\*\*SWL: Safe Working Load

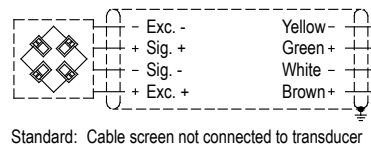
→ Other capacities and dimensions available on request

Dimensions in mm

Other view



Wiring



Load direction

