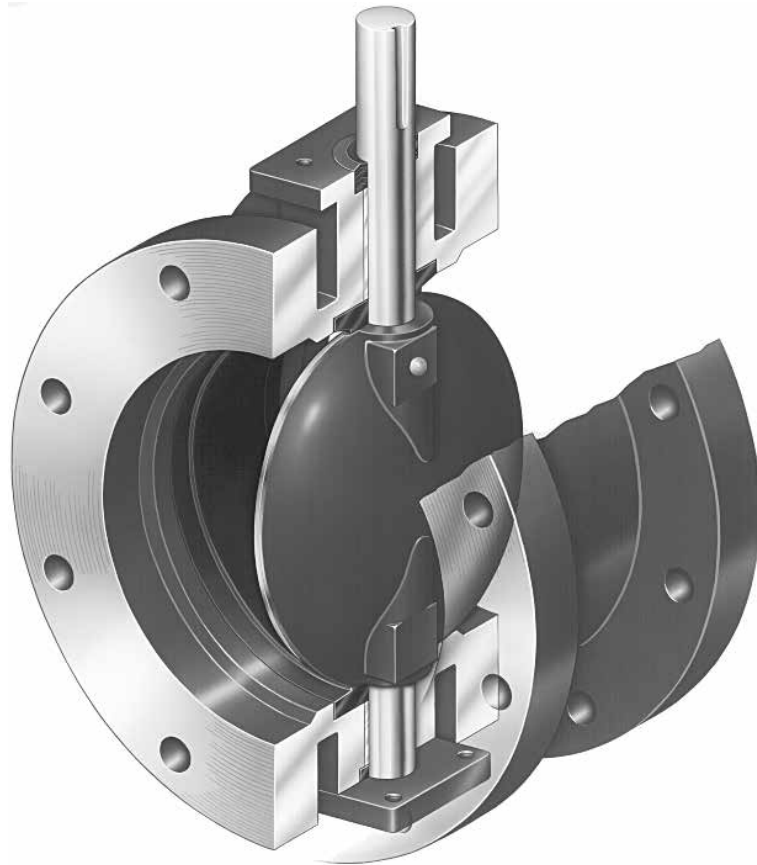


**Mueller LINESEAL III® (Class 150B), LINESEAL XP™*, LINESEAL XP11®
(Class 250B), and LINESEAL 350® (Class 350B) Butterfly Valve Features**



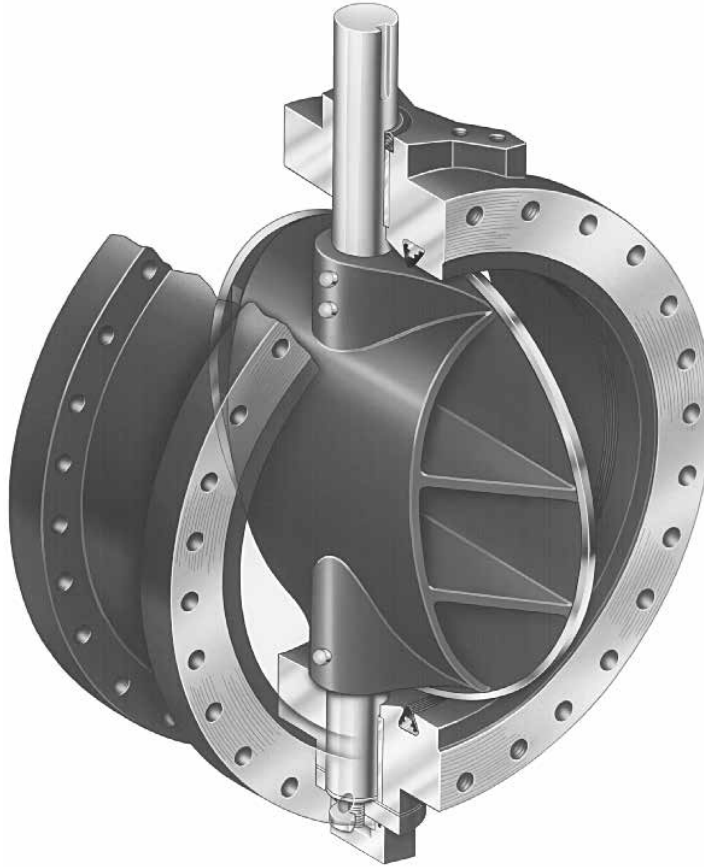
- **Chevron V-Type Packing** - is self-adjusting, long lasting and should never need replacement because quarter-turn valve operation causes little or no wear. Packing bears on turned, ground and polished stainless steel.
- **Corrosion Resistant Shaft** - is constructed of stainless steel. Shaft is one-piece, through-shaft construction sized to meet or exceed requirements of AWWA Standard C504 for Class 150B or Class 250B service.
- **Heavy-Duty Body** - is extra heavy with flanges fully faced and drilled per ANSI B16.1 Class 125 standard**. Other ends available include integrally cast mechanical joint and slip-on (for DI and PVC C900). Operator mounting trunnion is machined and drilled for four-bolt connection.
- **Tamper-Proof Disc Centering** - provided by precision molded flats in the bonded seat at the body trunnion mate with machined flats on the disc to provide tamperproof centering of the disc in the body. Positive disc alignment, without play, assures long seat life.
- **Self-Lubricating Bearings** - are liberally sized, chemically inert bearings that are self-lubricating and should outlast the life of the pipeline.
- **Streamlined Disc** - has lens-shaped design to minimize pressure drop and turbulence. Full open valve creates no more friction loss than a 45° elbow. Disc is secured to the shaft by stainless steel pins sized to transmit torques required and withstand stresses imposed under severe operating conditions. Disc has stainless steel disc edge.
- **Elastomeric Body Seat** - is made of a special rubber compound (Buna N) that is bonded to the body by a patented process. The seat cannot be torn from the body under normal pipeline conditions. The precision molding process also ensures that the disc-seat indentation cannot cause excessive wear or abrasion upon closing.

*Line seal XP™ Valves 3" and 4" only.

**Line seal XP™ and Line seal 350 Valve flanges drilled to ANSI B16.1 Class 250 standard.

Rev. 8-17 Shaded area indicates changes

Mueller LINESEAL III® (Class 150B), LINESEAL XP™ , LINESEAL XP11® (Class 250B), & LINESEAL 350® (Class 350B) Butterfly Valve Features



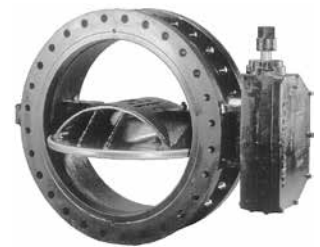
- **Corrosion Resistant Shaft** - is constructed of stainless steel. Two-piece, stub-type shafts are sized per AWWA Standard C504, Class 150B or Class 250.
- **Chevron V-Type Packing** - is self-adjusting packing in top trunnion of valve body where shaft protrudes.
- **Strong Disc & Shaft Connections** - with generously sized stainless steel pins designed to transmit torques required and withstand stresses imposed under severe operating conditions.
- **Preset Two-Way Thrust Bearing Assembly** - is preset at factory. On valves 30" and larger, assembly consists of stainless steel stud fastened to the bottom of the valve shaft. Stud extends beyond the bottom cover. Thrust collar is threaded to the stud and pinned. On 24" valves thrust collar is pinned to shaft and adjustment provided by bronze spacers. Thrust collar cavity is packed with grease and fully gasketed to prevent leakage.
- **Heavy-Duty Body** - is extra heavy with flanges fully faced and drilled per ANSI B16.1 Class 250 or Mechanical Joint ends are also available.
- **Self-Lubricating, Sleeve-Type Bearings** - are used in both trunnions of the valve body. PTFE lined with special non-metallic backing. Provide electrical insulation between disc and shaft to prevent galvanic corrosion. Lower coefficient of friction reduces operating torque requirements.
- **Flow-Through Disc*** - provides less pressure drop in full-open position than conventional disc shapes. (On 24" size valves the arch side of disc is closed and the flat side is open, forming a slightly concave surface.) Disc structure has no internal cores that can shift during casting, no hollow chambers that can collect water, freeze and fracture the disc. Disc edge has stainless steel spherically shaped seating surface.
- **Elastomeric Body Seat** - is made of a special rubber compound (Buna N) that seals a full 360 against a stainless steel spherical disc edge. Unique grooved-seal design, coupled with the wide spherically shaped seating edge of the disc, allows greater disc closure tolerance (up to 1° off center in closed position without leakage). Seat is mechanically retained in body without metal hardware by a cast epoxy compound that ensures the seat conforms to the exact radius of the disc with uniform contact pressure. It is fully field adjustable and replaceable.

* Contact your Mueller representative for valves sizes larger than 48" and for Line seal XP and Line seal 350 Valves with Class 250 flanges, this page applies to 24"-48" sizes.

- Catalog number
 - 3211-6** Flanged Ends Class 125
Sizes--3", 4", 6", 8", 10", 12", 14", 16", 18", 20", 24", 30", 36", 42", 48"
 - 3211-20** Mechanical joint ends (with mechanical joint unassembled accessories)
Sizes--4", 6", 8", 10", 12", 14", 16", 18", 20", 24", 30", 36", 42", 48"
 - 3211-23** Mechanical joint ends (without mechanical joint accessories)
Sizes--4", 6", 8", 10", 12", 14", 16", 18", 20", 24", 30", 36", 42", 48"
 - 3211-16** Flanged Class 125 by mechanical joint ends (with mechanical joint unassembled accessories)
Sizes--6", 8", 10", 12", 14", 16", 18", 20", 24", 30", 36"
 - 3211-19** Flanged Class 125 by mechanical joint ends (without mechanical joint unassembled accessories)
Sizes--6", 8", 10", 12", 14", 16", 18", 20", 24", 30", 36"
- Meets or exceeds all applicable requirements of ANSI/AWWA C504 Standard Class 150B; NSF 61 certified
- Buried service valves: I.D. and O.D. coated
- Body - Cast Iron ASTM A-126
- Flanges drilled per ANSI B16.1 Class 125
- Above ground valves (ordered with either a handwheel, position indicator on the actuator, or lever): minimum 8 mills epoxy coated interior and exterior; meets AWWA C504 standard.
- Seat-in-body design reduces seat failure due to corrosive buildup in the valve and pipeline
- Through-disc pinning provides a tight disc-to-shaft pin connection, greatly reducing the possibility of loosening through vibration
- Disc edge is 316 Stainless Steel
- Disc – Stainless Steel ASTM A-351 (3"-6"); Cast Iron ASTM A-126 (8"-20"); Ductile Iron ASTM A-536 (24"-48")
- Symmetrical disc for higher Cv and lower head loss
- Nonmetallic bearings prevent galvanic corrosion and provides lower coefficient of friction
- Chevron "V" type packing is self-adjusting to last the life of the valve
- 3"-24" Standard 304 SS hardware.



3"-20"



30"-48"

Options

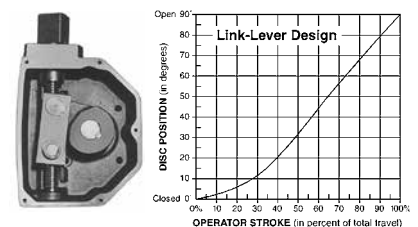
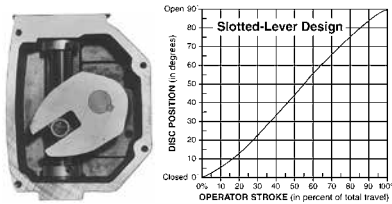
- MDT Actuator with handwheel or chainwheel and position indicator
- MDT Actuator with cylinder actuator (also available with manual override, handjack and 4-way solenoid valve)
- Hand lever for 3"-10" valves
- 200 psi test
- EPDM Rubber seat and seals
- 316 Stainless steel fasteners
- Additional mills available Epoxy interior and/or exterior
- Holiday testing
- Ground level position indicator

Standard Buried Service Actuators

Note: Actuator size subject to change based on actual pipeline conditions.

Valve size	Actuator	Number of turns
3"-12"	MDT-2S	32
14"-16"	MDT-3S	30
18"-24"	MDT-4S	40
30"-36"	MDT-5	44
42"	MDT-5S	136
48"	MDT-6S	215

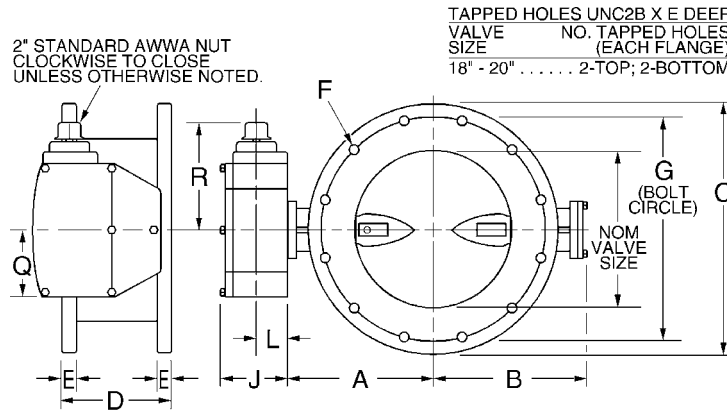
Slotted-Lever (3"-12")



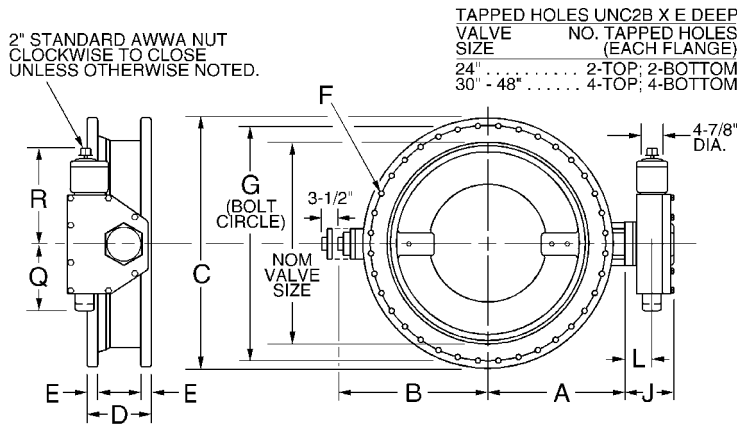
*Contact your Mueller representative for valve sizes larger than 48".

Rev. 9-09 Shaded area indicates changes

Dimensions - for Lineiseal III® Valves Flanged (Class 125) Ends, 3"-20" Sizes.



Dimensions - for Lineiseal III® Valves Flanged (Class 125) Ends, 24"-48" Sizes.



Notes: These dimensions are correct at time of publication but are not to be construed as certified drawings. Certified drawings available upon request. Actuator size subject to change based on actual pipeline conditions.

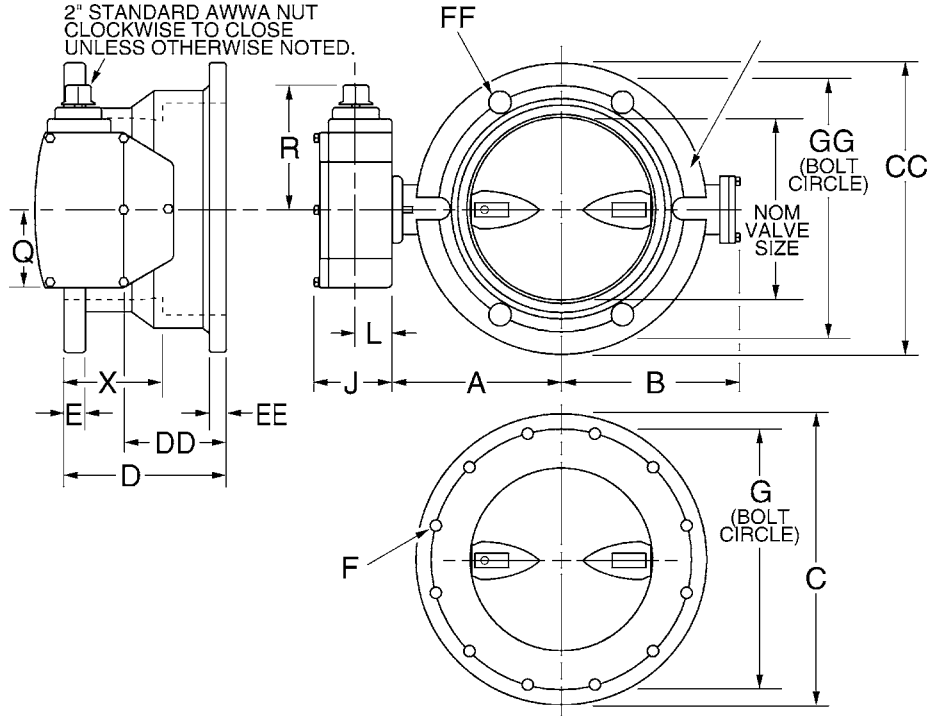
Dimension+	Nominal size*														
	3"	4"	6"	8"	10"	12"	14"	16"	18"	20"	24"	30"	36"	42"	48"
A	4.75	5.50	6.50	7.75	9.00	10.5	11.88	13.50	14.38	16.00	18.63	21.50	25.44	29.88	34.06
B	3.88	4.13	5.13	6.50	9.88	11.38	12.63	14.50	15.38	17.00	18.63	24.38	28.25	32.88	37.13
C	7.50	9.00	11.00	13.50	16.00	19.00	21.00	23.50	25.00	27.50	32.00	38.75	46.00	53.00	59.50
D†	5.00	5.00	5.00	6.00	8.00	8.00	8.00	8.00	8.00	8.00	8.00	12.00	12.00	12.00	15.00
E	.75	.94	1.00	1.13	1.19	1.25	1.38	1.44	1.56	1.69	1.88	2.13	2.38	2.63	2.75
F (number and size of holes)	4--.63	8--.63	8--.75	8--.75	12--.88	12--.88	12--1	16--1	16--1.13	20--1.13	20--1.25	28--1.25	32--1.50	36--1.50	44--1.50
G	6.00	7.50	9.50	11.75	14.25	17.00	18.75	21.25	22.75	25.00	29.50	36.00	42.75	49.50	56.00
J	4.69	4.69	4.69	4.69	4.69	4.69	5.63	5.63	6.38	6.38	6.38	7.56	7.56	8.31	9.88
L	2.00	2.00	2.00	2.00	2.00	2.00	2.44	2.44	2.84	2.84	2.84	3.47	3.47	3.94	5.06
Q	4.50	4.50	4.50	4.50	4.50	4.50	5.38	5.38	6.75	6.75	6.75	10.00	10.00	15.94	14.19
R	8.25	8.25	8.25	8.25	8.25	8.25	10.38	10.38	11.31	11.31	11.31	17.00	17.00	19.88	26.50
Turns to open	32	32	32	32	32	32	30	30	40	40	40	44	44	136	215
Actuator (see notes)	MDT-2S	MDT-2S	MDT-2S	MDT-2S	MDT-2S	MDT-2S	MDT-3S	MDT-3S	MDT-4S	MDT-4S	MDT-4S	MDT-5	MDT-5	MDT-5S	MDT-6S

* Larger sizes available upon request.

+ All dimensions are in inches.

† +1/16" for 10" valves, and +1/8" for 12"-48" valves per Flange Standard ANSI B16.1.

Dimensions - for Lineseal III® Valves Mechanical Joint by Flange (Class 125) Ends, 6"-20" Sizes.



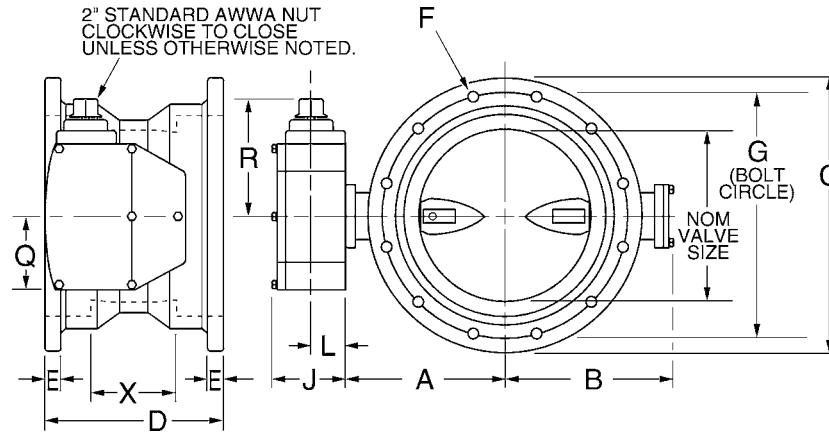
Notes: These dimensions are correct at time of publication but are not to be construed as certified drawings. Certified drawings available upon request. Actuator size subject to change based on actual pipeline conditions.

Dimension+	Nominal size							
	6"	8"	10"	12"	14"	16"	18"	20"
A	6.50	7.75	9.00	10.50	11.88	13.50	14.38	16
B	5.13	6.50	9.88	11.38	12.75	14.38	15.25	16.88
C	11.00	13.50	16.00	19.00	21.00	23.50	25.00	27.50
CC	11.00	13.25	15.56	17.94	20.31	22.56	24.69	27.09
D†	6.75	7.31	8.62	8.63	9.75	10.00	10.13	10.25
DD	4.25	4.31	4.62	4.63	5.75	6.00	6.13	6.25
E	1.06	1.13	1.25	1.25	1.38	1.44	1.56	1.69
EE	1.06	1.13	1.19	1.25	1.31	1.38	1.44	1.50
F (number and size of holes)	8--.75	8--.75	12--.88	12--.88	12--1.00	16--1.00	16--1.13	20--1.13
FF (number and size of holes)	6--.75	6--.75	8--.75	8--.75	10--.75	12--.75	12--.75	14.75
G	9.50	11.75	14.25	17.00	18.75	21.25	22.75	25.00
GG	9.50	11.75	14.00	16.25	18.75	21.00	23.25	25.50
J	4.69	4.69	4.69	4.69	5.63	5.63	6.38	6.38
L	2.00	2.00	2.00	2.00	2.44	2.44	2.84	2.84
Q	4.50	4.50	4.50	4.50	5.38	5.38	6.75	6.75
R	8.75	8.25	8.25	8.25	10.38	10.38	11.31	11.31
X	4.25	4.81	6.13	6.13	6.25	6.50	6.63	6.75
Turns to open	32	32	32	32	30	30	40	40
Actuator (see notes)	MDT-2S	MDT-2S	MDT-2S	MDT-2S	MDT-3S	MDT-3S	MDT-4S	MDT-4S

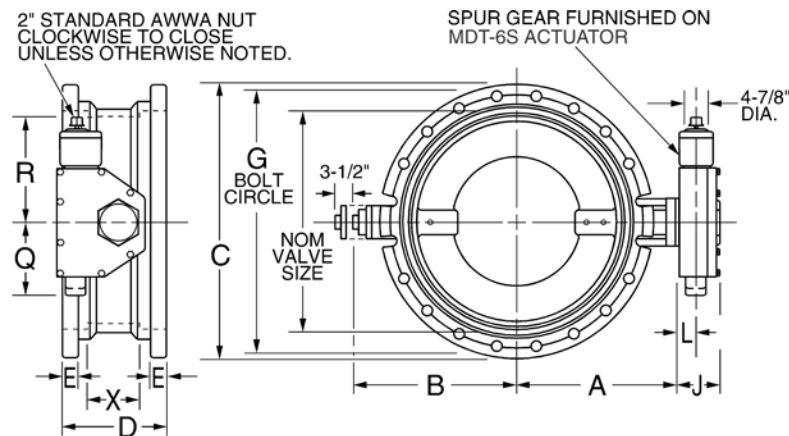
+ All dimensions are in inches.

Rev. 5-17 Shaded area indicates changes

Dimensions - for Lineseal III® Valves M.J. Ends, 4"-20" Sizes.



Dimensions - for Mueller Lineseal III® Butterfly Valves M.J. Ends, 24"-48" Sizes.

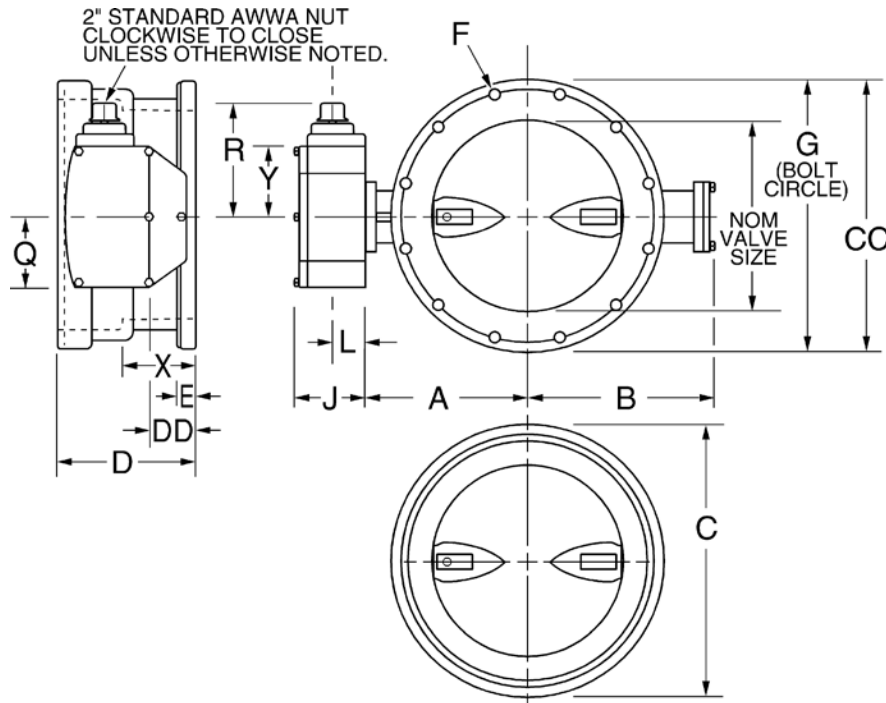


Notes: These dimensions are correct at time of publication but are not to be construed as certified drawings. Certified drawings available upon request. Actuator size subject to change based on actual pipeline conditions.

Dimension+	Nominal size													
	4"	6"	8"	10"	12"	14"	16"	18"	20"	24"	30"	36"	42"	48"
A	5.50	6.50	7.75	9.00	10.50	11.88	13.50	14.38	16.00	18.63	21.50	25.44	29.88	34.06
B	4.13	5.13	6.50	9.75	11.38	12.75	14.50	15.38	17.00	18.38	24.13	28.00	32.75	36.88
C	9.00	11.00	13.25	15.56	17.94	20.31	22.56	24.69	27.09	31.56	39.00	45.88	53.00	59.88
D	8.13	8.50	8.63	9.25	9.25	11.50	12.00	12.25	12.50	13.25	18.00	22.00	22.00	24.00
E	1.00	1.06	1.13	1.19	1.25	1.31	1.38	1.38	1.50	1.63	1.81	2.00	2.00	2.00
F (number and size of holes)	4--.75	6--.75	6--.75	8--.75	8--.875	10--.875	12--.875	12--.875	14--.875	16--.875	20--1.13	24--1.13	28--1.38	32--1.38
G	7.50	9.50	11.75	14.00	16.25	18.75	21.00	23.25	25.25	30.00	36.88	43.75	50.63	57.50
J	4.69	4.69	4.69	4.69	4.69	5.63	5.63	6.38	6.38	6.38	7.56	7.56	8.31	11.19
L	2.00	2.00	2.00	2.00	2.00	2.44	2.44	2.84	2.84	2.84	3.47	3.47	3.94	5.06
Q	4.50	4.50	4.50	4.50	4.50	5.44	5.44	6.75	6.75	6.75	10.13	10.13	15.94	18.56
R	8.25	8.25	8.25	8.25	8.25	10.38	10.38	11.31	11.31	11.31	17.00	17.00	19.88	26.50
X	3.12	3.50	3.63	4.25	4.25	4.50	5.00	5.25	5.50	6.38	10.00	14.00	14.00	16.00
Turns to open	32	32	32	32	32	30	30	40	40	40	44	44	136	215
Actuator (see notes)	MDT-2S	MDT-2S	MDT-2S	MDT-2S	MDT-2S	MDT-3S	MDT-3S	MDT-4S	MDT-4S	MDT-4S	MDT-5	MDT-5	MDT-5S	MDT-6S

+ All dimensions are in inches.

Dimensions - for Line Seal III® Valves Slip-on by Flanged Ends (Class 125), 12", 16" Sizes.



Notes: These dimensions are correct at time of publication but are not to be construed as certified drawings. Certified drawings available upon request. Actuator size subject to change based on actual pipeline conditions.

	Pipe size	
	12"	16"
Pipe O.D.	13.20	17.40

Dimension+	Nominal size	
	12"	16"
A	10.50	13.50
B	11.38	13.88
C (Slip on end)	16.38	21.25
CC (Flanged end)	19.00	23.50
D	11.50	11.50
DD	4.00	4.00
E	1.25	1.44
F (number and size of holes)	12--.88	16--1.00
G	17.00	21.25
J	4.69	5.63
L	2.00	2.44
Q	4.50	5.38
R	8.25	10.38
X (Laying length)	6.56	9.19
Turns to open	32	30
Actuator (see notes)	MDT-2S	MDT-3S

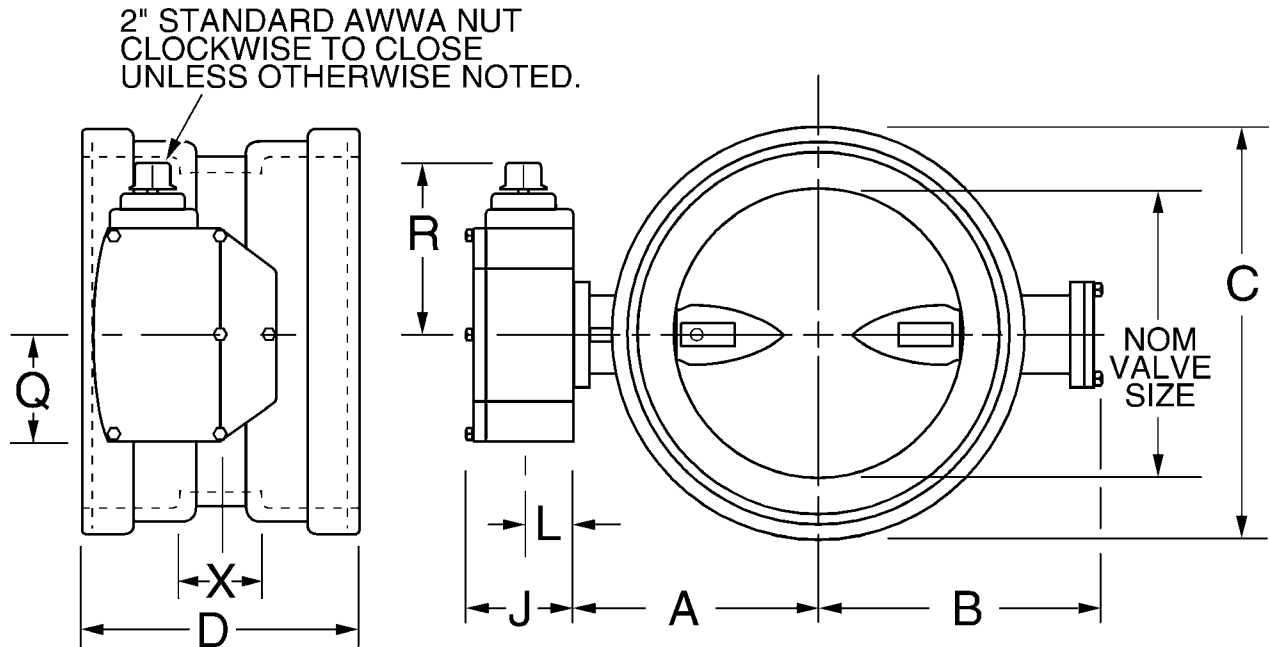
+ All dimensions are in inches.

IMPORTANT:

1. Slip On end of this valve NOT FOR USE with IPS O.D. Pipe.
2. Slip On end of this valve for use with Tyton™ Rubber Ring Gasket (Tyton is a registered Trade Mark of U.S. Pipe & Foundry Co.).

Rev. 5-17 Shaded area indicates changes

Dimensions - for Mueller® Lineseal III® Butterfly Valves Slip-on Ends, 12", 16" Sizes.



Notes: These dimensions are correct at time of publication but are not to be construed as certified drawings. Certified drawings available upon request. Actuator size subject to change based on actual pipeline conditions.

	Pipe size	
	12"	16"
Pipe O.D.	13.20	17.40

Dimension+	Nominal size	
	12"	16"
A	10.50	13.50
B	11.38	14.50
C	16.38	21.25
D	15.00	15.00
J	4.69	5.63
L	2.00	2.44
Q	4.50	5.38
R	8.25	10.38
X (Laying length)	5.13	4.75
Turns to open	32	30
Actuator (see notes)	MDT-2S	MDT-3S

+All dimensions are in inches.

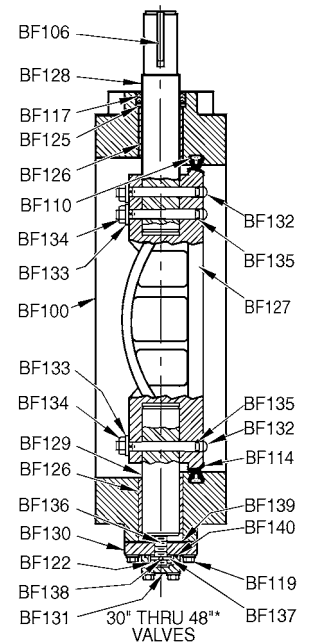
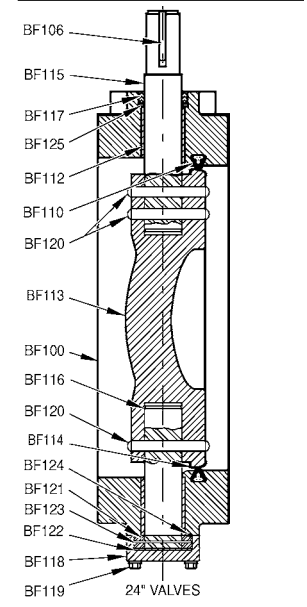
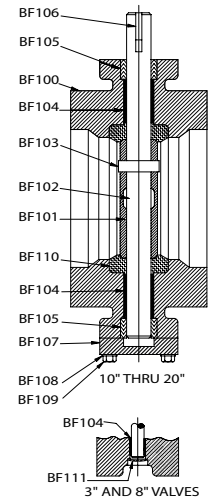
IMPORTANT:

1. This valve NOT FOR USE with IPS O.D. Pipe.

Line seal III® Butterfly Valve Replacement Parts

Catalog Part No.	Description	Material
BF100	Body	Cast iron ASTM A126 CL.B
BF101	Disc**	Cast iron ASTM A126, Class B with 316 Edge
BF102	Shaft	Stainless Steel Type 304 ASTM A-276
BF103	Squeeze pin	Stainless Steel Type 304 ASTM A-276
BF104	Bearing	Nylatron GS
BF105	Packing	Chevron V-Type
BF106	Key	Carbon Steel C-1045
BF107	Cover	Cast Iron ASTM A-48 Class 40
BF108	Lockwasher	Stainless Steel Type 304
BF109	Cap Screw	Stainless Steel Type 304
BF110	Seat	Buna N
BF111	Plug	Stainless Steel Type 304
BF112	Bearings	PTFE Lined, Fiberglass Backed
BF113	Disc	Ductile Iron ASTM A-536 Grade 65-45-12
BF114	Disc edge	Stainless Steel Type 316 ASTM A-240
BF115	Top stub shaft	Stainless Steel Type 304 ASTM A-276 (Standard) Stainless Steel Type 316 ASTM A-276
BF116	Bottom stub shaft	Stainless Steel Type 304 ASTM A-276 (Standard) Stainless Steel Type 316 ASTM A-276
BF117	Packing	Buna N
BF118	Bottom cover	Cast Iron ASTM A-48 Class 40
BF119	Cap screws	Carbon Steel
BF120	Squeeze pins	Stainless Steel Type 304 ASTM A-479
BF121	Thrust collar	Stainless Steel Type 420
BF122	Thrust collar shims	Bronze
BF123	Spring pin	Stainless Steel Type 420
BF124	O-ring	Buna N
BF125	Packing retainer	Nylon
BF126	Bearings	PTFE Lined, Fiberglass Backed
BF127	Disc	Ductile Iron ASTM A-536 Grade 65-45-12
BF128	Top stub shaft	Stainless Steel Type 304 ASTM A-276
BF129	Bottom stub shaft	Stainless Steel Type 304 ASTM A-276
BF130	Bottom cover	Cast Iron ASTM A-126 Class B
BF131	Bottom cover cap	Cast Iron ASTM A-126 Class B
BF132	Taper pins	Stainless Steel Type 630 ASTM A-564 Cond. H-1150
BF133	Lockwashers	Stainless Steel Type 304
BF134	Hex nuts	Stainless Steel Type 304
BF135	O-rings	Buna N
BF136	Thrust bearing stud	Stainless Steel Type 304
BF137	Thrust collar	Bronze ASTM B-505 Alloy C93200
BF138	Dowel pin	Alloy Steel
BF139	Bottom cover gasket	Blended Fiber, Cured Nitril Binder
BF140	O-ring	Buna N

* Contact you Mueller representative for sizes larger than 48".
**3", 4", 6" is ASTM A-351 CF8M Stainless Steel.

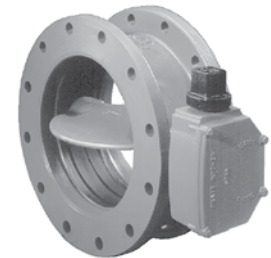


Rev. 5-17 Shaded area indicates changes

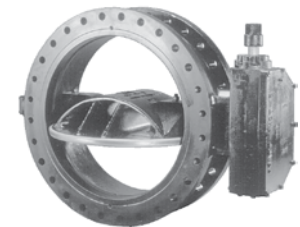
- Catalog number--
5227-6 Flanged (Class 250) Ends; **ANSI 250lb Drilling B16.1**
Sizes--3", 4", 6", 8", 10", 12", 14", 16", 18", 20", 24", 30", 36", 42", 48"*
- 250psig (1723kPa) maximum working pressure
- Meets or exceeds all applicable requirements of ANSI/AWWA C504 Standard Class 250B; NSF 61 certified
- Body - Ductile Iron ASTM A-536 (65-45-12)
- Buried service valves: I.D. and O.D. coated
- Above ground valves (ordered with either a handwheel, position indicator on the actuator, or lever); minimum 8 mills epoxy coated interior and exterior; meets AWWA C-504 standards.
- Seat-in-body design reduces seat failure due to corrosive buildup in the valve and pipeline
- Disc edge is 316 Stainless Steel
- Disc - Ductile Iron ASTM A-536 (65-45-12) (3"-4" Stainless Steel ASTM A351 CF8M)
- Nonmetallic bearings prevent galvanic corrosion and provides lower coefficient of friction
- Chevron "V" type packing is self-adjusting to last the life of the valve
- 3"-24" Standard 304 SS hardware.



6"-24"



3" & 4"



30"-48"

Options

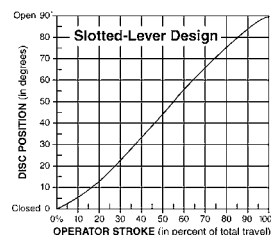
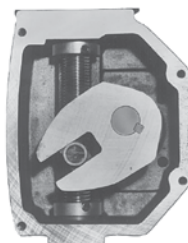
- MDT Actuator with handwheel or chainwheel and position indicator
- MDT Actuator with cylinder actuator (also available with manual override, handjack and 4-way solenoid valve)
- EPDM rubber seat and seals
- 304/316 Stainless Steel Fasteners
- Additional 4 mills minimum Epoxy interior and/or exterior
- Holiday testing
- Ground level position indicator

Standard Buried Service Actuators

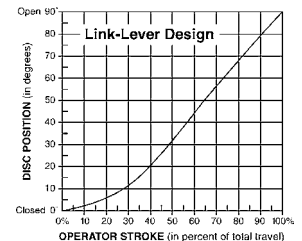
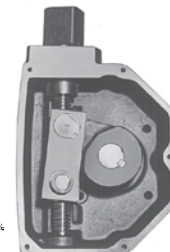
Note: Actuator size subject to change based on actual pipeline conditions.

Valve size	Actuator	Number of turns
3"-8"	MDT-2S	32
10"-14"	MDT-3S	30
16"-18"	MDT-4S	40
20"-24"	MDT-5	44
30"-36"	MDT-5S	136
42"-48"	MDT-6S	215

Slotted-Lever (3"-8")



Link-Lever (10"-48")



MUELLER® LINESEAL XP™ BUTTERFLY VALVES (CLASS 250B) 3"-48"* - FLANGE ENDS

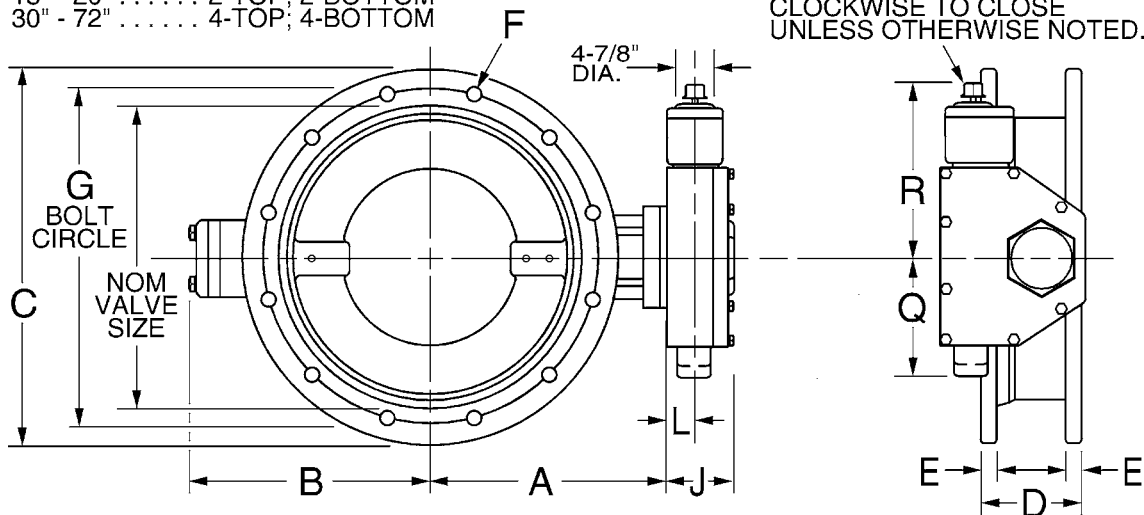


11.11

Shaded area indicates change Rev. 10-11

Dimensions - for Line Seal XP™ Valves - Flange (ANSI B16.1 Class 250) Ends, 3"-48"* Sizes.

TAPPED HOLES	UNC2B X E DEEP
VALVE	NO. TAPPED HOLES
SIZE	(EACH FLANGE)
18" - 20"	2-TOP; 2-BOTTOM
30" - 72"	4-TOP; 4-BOTTOM



TAPPED HOLES	UNC2B X E DEEP
VALVE	NO. TAPPED HOLES
SIZE	(EACH FLANGE)
18" - 20"	4(2 OVER BOTH SHAFT AREAS)
30" - 48"	8(4 OVER BOTH SHAFT AREAS)

NOTES: These dimensions are correct at time of publication but are not to be construed as certified drawings. Certified drawings are available upon request. Actuator size subject to change based on actual pipeline conditions.

Dimension+	Nominal size														
	3"	4"	6"	8"	10"	12"	14"	16"	18"	20"	24"	30"	36"	42"	48"
A	4.75	5.50	7.25	8.50	9.75	11.50	12.75	14.00	15.25	17.00	19.75	25.63	28.13	32.13	36.25
B	3.25	3.50	8.38	9.63	11.00	12.63	13.88	15.13	16.38	17.63	20.25	26.00	31.13	35.13	39.63
C	8.25	10.00	12.50	15.00	17.50	20.50	23.00	25.50	28.00	30.50	36.00	43.00	50.00	57.00	65.00
D	5.00	5.00	6.00	8.00	8.00	8.00	12.00	12.00	12.00	12.00	12.00	12.00	15.00	15.00	15.00
E	1.13	1.25	1.44	1.63	1.88	2.00	2.13	2.25	2.38	2.50	2.75	3.00	3.38	3.69	4.00
F (number and size of holes)**	8--.88	8--.88	12--.88	12--1.00	16--1.12	16--1.25	20--1.25	20--1.38	20--1.38	20--1.38	24--1.62	20--2.00	24--2.25	28--2.25	32--2.25
	--	--	--	--	--	--	--	--	4--1.25	4--1.25	--	8--1.50	8--2.00	8--2.00	8--2.00
G	6.63	7.88	10.63	13.00	15.25	17.75	20.25	22.50	24.75	27.00	32.00	39.25	46.00	52.75	60.75
J	4.69	4.69	4.69	4.69	5.63	5.63	5.63	6.38	6.38	7.56	7.56	7.56	8.31	11.13	CONTACT FACTORY
L	2.00	2.00	2.00	2.00	2.44	2.44	2.44	2.84	2.84	3.49	3.49	3.49	3.94	5.06	
Q	4.50	4.50	4.50	4.50	5.38	5.38	5.38	6.75	6.75	10.00	10.00	10.00	15.94	14.19	
R	8.25	8.25	8.25	8.25	10.38	10.38	10.38	11.31	11.31	17.00	17.00	17.00	19.88	26.50	
Turns to Open	32	32	32	32	30	30	30	40	40	44	44	44	136	215	
Actuator (see notes)	MDT-2S	MDT-2S	MDT-2S	MDT-2S	MDT-3S	MDT-3S	MDT-3S	MDT-4S	MDT-4S	MDT-5	MDT-5	MDT-5	MDT-5S	MDT-6S	

+All dimensions are in inches.

*Consult your Mueller representative for sizes larger than 48".

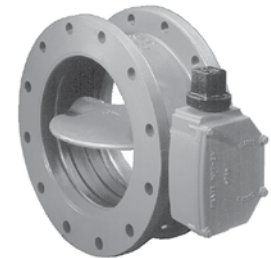
**Top row: number and size of clearance holes for bolts; bottom row: number and size of threaded holes for studs.

Rev. 10-17 Shaded area indicates changes

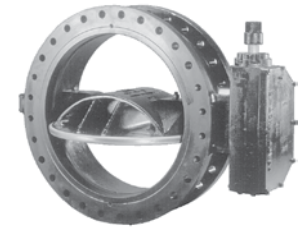
- Catalog number--
 - 5227-6** Flanged (Class 250) Ends*; **ANSI B16.1 Class 125**
 Sizes--3", 4", 6", 8", 10", 12", 14", 16", 18", 20", 24", 30", 36", 42", 48"*
 - 5227-20** Mechanical joint ends (with mechanical joint unassembled accessories)
 Sizes--4", 6", 8", 10", 12", 14", 16", 18", 20", 24", 30", 36", 42", 48"*
 - 5227-23** Mechanical joint ends (without mechanical joint accessories)
 Sizes--4", 6", 8", 10", 12", 14", 16", 18", 20", 24", 30", 36", 42", 48"*
 - 5227-16** Flanged x Mechanical joint ends (with mechanical joint accessories)
 Sizes--6", 8", 10", 12", 14", 16", 18", 20", 24", 30", 36"
 - 5227-19** Flanged x Mechanical joint ends (without mechanical joint accessories)
 Sizes--6", 8", 10", 12", 14", 16", 18", 20", 24", 30", 36"
- 250psig (1723kPa) maximum working pressure
- Meets or exceeds all applicable requirements of ANSI/AWWA C504 Standard Class 250B; NSF 61 certified
- Body - Ductile Iron ASTM A-536 (65-45-12)
- Buried service valves: I.D. and O.D. coated
- Above ground valves (ordered with either a handwheel, position indicator on the actuator, or lever); minimum 8 mills epoxy coated interior and exterior.
- Seat-in-body design reduces seat failure due to corrosive buildup in the valve and pipeline (24"-48")
- Disc edge is 316 Stainless Steel
- Disc - Ductile Iron ASTM A-536 (65-45-12) (3", 4", 6" Stainless Steel ASTM A351 CF8M)
- Through-disc pinning provides a tight disc-to-shaft pin connection, greatly reducing the possibility of loosening through vibration
- Symmetrical disc for higher Cv and lower head loss (3"-20")
- Nonmetallic bearings prevent galvanic corrosion and provides lower coefficient of friction (Only 6" & 8" valves furnished with PTFE lined, stainless steel backed bearing).
- Chevron "V" type packing is self-adjusting to last the life of the valve



6"-24"



3" & 4"



30"-48"

Options

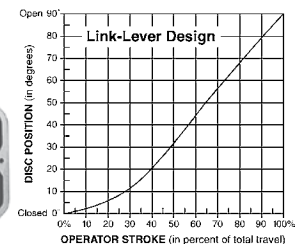
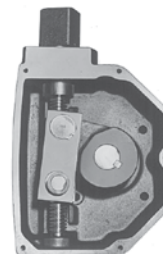
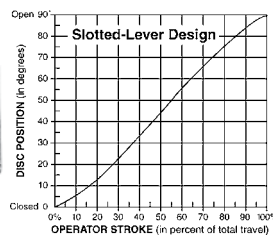
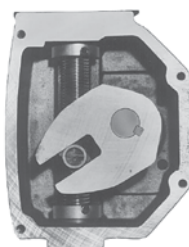
- MDT Actuator with handwheel or chainwheel and position indicator
- MDT Actuator with cylinder actuator (also available with manual override, handjack and 4-way solenoid valve)
- EPDM rubber seat and seals
- 304/316 Stainless Steel Fasteners
- Additional mils available Epoxy interior and/or exterior
- Holiday testing
- Ground level position indicator

Standard Buried Service Actuators

Note: Actuator size subject to change based on actual pipeline conditions.

Valve size	Actuator	Number of turns
3"-8"	MDT-2S	32
10"-14"	MDT-3S	30
16"-18"	MDT-4S	40
20"-24"	MDT-5	44
30"-36"	MDT-5S	136
42"-48"	MDT-6S	215

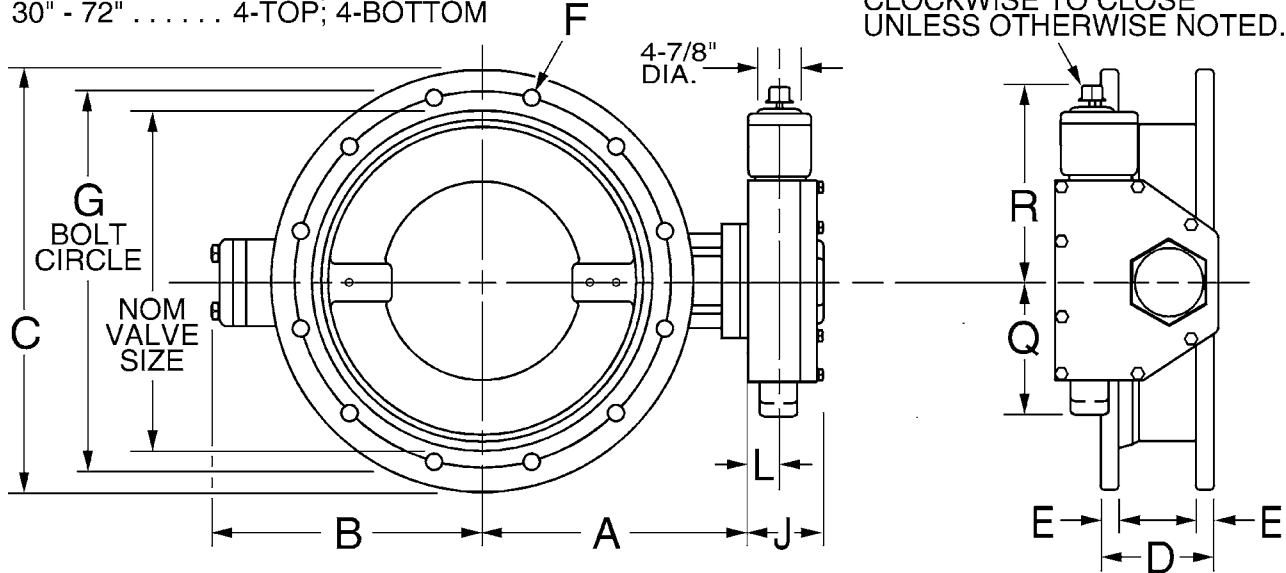
Slotted-Lever (3"-8")



* Consult your Mueller representative for sizes larger than 48" or for valves with Class 125 flanges.

Dimensions - for Line seal XPII® Valves - Flange (ANSI B16.1 Class 125) Ends, 3"-48"* Sizes.

TAPPED HOLES UNC2B X E DEEP
VALVE NO. TAPPED HOLES
SIZE (EACH FLANGE)
18" - 20" 2-TOP; 2-BOTTOM
30" - 72" 4-TOP; 4-BOTTOM



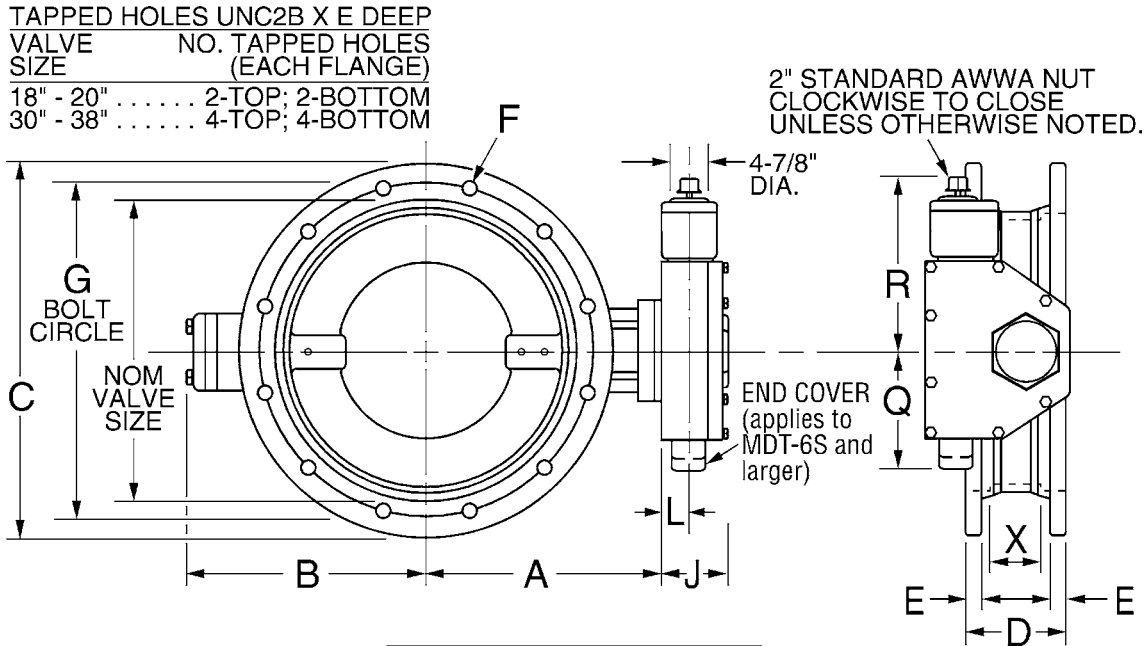
NOTES: These dimensions are correct at time of publication but are not to be construed as certified drawings. Certified drawings are available upon request. Actuator size subject to change based on actual pipeline conditions.

Dimension+	Nominal size														
	3"	4"	6"	8"	10"	12"	14"	16"	18"	20"	24"	30"	36"	42"	48"
A	4.75	5.50	6.50	7.75	9.00	10.50	11.88	13.50	14.38	16.00	18.63	21.50	25.44	29.88	34.06
B	3.25	3.50	5.13	6.50	9.88	11.38	12.75	14.38	15.25	16.88	18.38	24.13	28.00	32.69	36.88
C	7.50	9.00	11.00	13.50	16.00	19.00	21.00	23.50	25.00	27.50	32.00	38.75	46.00	53.00	59.50
D	5.00	5.00	5.00	6.00	8.00	8.00	8.00	8.00	8.00	8.00	8.00	12.00	12.00	12.00	15.00
E	.75	.94	1.00	1.13	1.19	1.25	1.38	1.44	1.56	1.69	1.88	2.13	2.38	2.63	2.75
F (number and size of holes)	4--.63	8--.63	8--.75	8--.75	12--.88	12--.88	12--1.00	16--1.00	16--1.13	20--1.13	20--1.25	28--1.25	32--1.50	36--1.50	44--1.50
G	6.00	7.50	9.50	11.75	14.25	17.00	18.75	21.25	22.75	25.00	29.50	36.00	42.75	49.50	56.00
J	4.69	4.69	4.69	4.69	5.63	5.63	5.63	6.38	6.38	7.56	7.56	8.31	8.31	9.88	9.88
L	2.00	2.00	2.00	2.00	2.44	2.44	2.44	2.84	2.84	3.47	3.47	3.47	3.47	5.06	5.06
Q	4.25	4.25	4.25	4.25	5.38	5.38	5.38	6.75	6.75	10.00	10.00	15.94	15.94	14.19	14.19
R	8.25	8.25	8.25	8.25	10.38	10.38	10.38	11.31	11.31	17.00	17.00	19.88	19.88	26.50	26.50
Turns to Open	32	32	32	32	30	30	30	40	40	44	44	44	136	215	215
Actuator (see notes)	MDT-2S	MDT-2S	MDT-2S	MDT-2S	MDT-3S	MDT-3S	MDT-3S	MDT-4S	MDT-4S	MDT-5	MDT-5	MDT-5	MDT-5S	MDT-6S	MDT-6S

+All dimensions are in inches.

Rev. 9-09 Shaded area indicates changes

Dimensions - for Lineal XP11® Valves - Mechanical Joint Ends, 4"-48" Sizes.



CAUTION

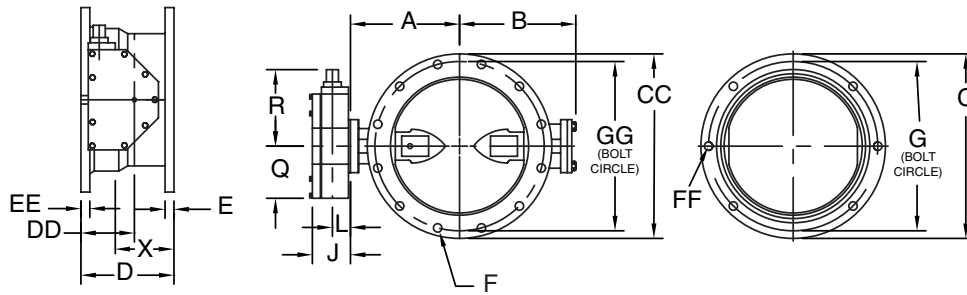
*consult installation instructions
supplied with valve for specific
installation procedures.*

NOTES: These dimensions are correct at time of publication but are not to be construed as certified drawings. Certified drawings are available upon request. Actuator size subject to change based on actual pipeline conditions.

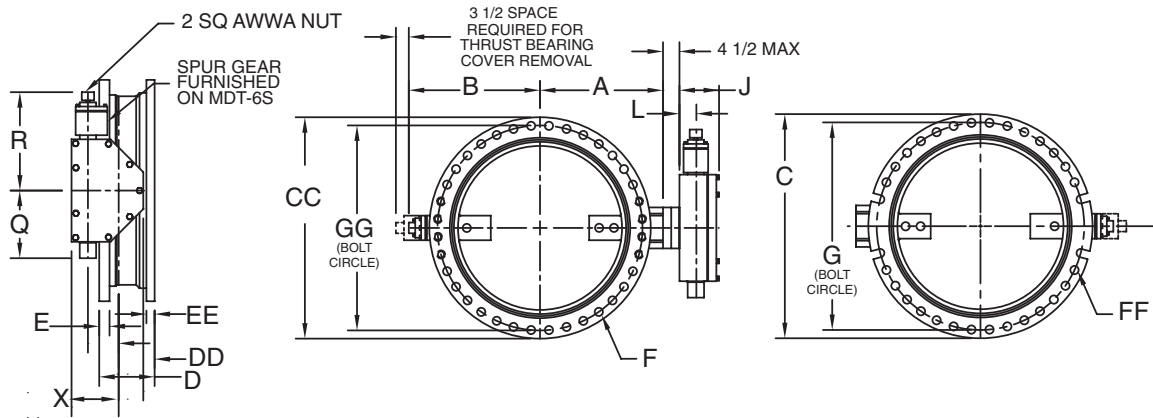
Dimension+	Nomnal Size													
	4"	6"	8"	10"	12"	14"	16"	18"	20"	24"	30"	36"	42"	48"
A	5.50	6.50	7.75	9.00	10.50	11.88	13.50	14.38	16.00	18.63	21.50	25.44	29.88	34.06
B	3.50	5.13	6.50	9.88	11.38	12.75	14.38	15.25	16.88	18.38	24.13	28.00	32.75	36.88
C	9.00	11.00	13.25	15.56	17.94	20.31	22.56	24.69	27.09	31.56	39.00	45.88	53.00	59.88
D	8.13	8.50	8.63	9.25	9.25	11.50	12.00	12.25	12.50	13.25	18.00	22.00	22.00	24.00
E	1.00	1.00	1.13	1.19	1.25	1.31	1.38	1.38	1.50	1.63	1.81	2.00	2.00	2.00
F (number and size of holes)	4--.75	6--.75	6--.75	8--3/4	8--.75	10--.75	12--.75	12--.75	14--.75	16--.75	20--1.00	24--1.00	28-- 1.25	32-- 1.25
G	7.50	9.50	11.75	14.00	16.25	18.75	21.00	23.25	25.50	30.00	36.88	43.75	50.63	57.50
J	4.69	4.69	4.69	5.63	5.63	5.63	6.38	6.38	7.56	7.56	8.31	8.31	10.19	10.19
L	2.00	2.00	2.00	2.44	2.44	2.44	2.84	2.84	3.47	3.47	3.94	3.94	5.06	5.06
Q	4.25	4.25	4.25	5.38	5.38	5.38	6.75	6.75	10.00	10.00	15.94	15.94	14.19	14.19
R	8.25	8.25	8.25	10.38	10.38	10.38	11.31	11.31	17.00	17.00	19.88	19.88	26.50	26.50
X	3.13	3.50	3.63	4.25	4.25	4.50	5.00	5.25	5.50	6.38	10.00	14.00	14.00	16.00
Turns to Open	32	32	32	30	30	30	40	40	44	44	136	136	215	215
Actuator (see notes)	MDT-2S	MDT-2S	MDT-2S	MDT-3S	MDT-3S	MDT-3S	MDT-4S	MDT-4S	MDT-5	MDT-5	MDT-5S	MDT-5S	MDT-6S	MDT-6S

+All dimensions are in inches.

Dimensions - for Line seal XPII® Valves - Flange Ends x Mechanical Joint Ends 6"-20" Sizes.



Dimensions - for Line seal XPII® Valves - Flange Ends x Mechanical Joint Ends 24"-36" Sizes.



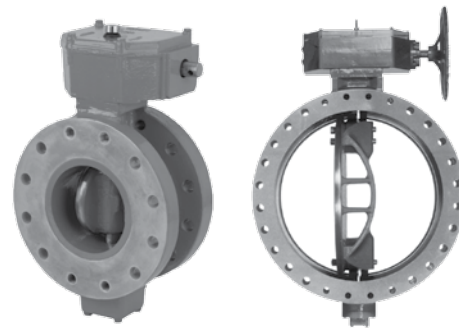
NOTES: These dimensions are correct at time of publication but are not to be construed as certified drawings. Certified drawings are available upon request. Actuator size subject to change based on actual pipeline conditions.

Dimension+	Nomnal Size										
	6"	8"	10"	12"	14"	16"	18"	20"	24"	30"	36"
A	6.50	7.75	9.00	10.50	11.88	13.50	14.38	16.00	18.63	21.50	25.44
B	5.13	6.50	9.88	11.38	12.75	14.38	15.25	16.88	18.63	24.38	28.25
C	11.00	13.50	16.00	19.00	21.00	23.50	25.00	27.50	32.00	38.75	46.00
CC	11.00	13.25	15.56	17.94	20.31	22.56	24.69	27.09	31.56	39.00	45.88
D	6.75	7.31	8.63	8.63	9.75	10.00	10.13	10.25	10.63	15.00	17.00
DD	4.25	4.31	4.63	4.63	5.75	6.00	6.13	6.25	6.63	9.00	11.00
E	1.06	1.13	1.25	1.25	1.38	1.44	1.56	1.69	1.88	2.13	2.38
EE	1.06	1.13	1.19	1.25	1.31	1.38	1.44	1.50	1.63	1.81	2.00
F (number and size of holes)	8--.75	8--.75	12--.88	12--.88	12--1.00	16--1.00	16--1.13	20--1.13	20--1.25	28--1.25	32--1.50
FF	6--.75	6--.75	8--.75	8--.75	10--.75	12--.75	12--.75	14--.75	16--.75	20--1.00	24--1.00
G	9.50	11.75	14.25	17.00	18.75	21.25	22.75	25.00	29.50	36.00	42.75
GG	9.50	11.75	14.00	16.25	18.75	21.00	23.25	25.50	30.00	36.88	43.75
J	4.69	4.69	5.63	5.63	5.63	6.38	6.38	7.56	7.56	8.31	8.31
L	2.00	2.00	2.44	2.44	2.44	2.84	2.84	3.47	3.47	3.94	3.94
Q	4.25	4.25	5.38	5.38	5.38	6.75	6.75	10.00	10.00	15.94	15.94
R	8.25	8.25	10.38	10.38	10.38	11.31	11.31	17.00	17.00	19.88	19.88
X	4.25	4.81	6.13	6.13	6.25	6.50	6.63	6.75	7.13	11.00	13.00
Turns to Open	32	32	30	30	30	40	40	44	44	136	136
Actuator (see notes)	MDT-2S	MDT-2S	MDT-3S	MDT-3S	MDT-3S	MDT-4S	MDT-4S	MDT-5	MDT-5	MDT-5S	MDT-5S

+All dimensions are in inches.

Rev. 8-17 Shaded area indicates changes

- Catalog number--
5227-6 Flanged Ends; **ANSI 250lb Drilling B16.1**
 Sizes--6", 8", 10", 12", 14", 16", 18", 20", 24", 30", 36", 42", 48
- 5227-23** Mechanical Joint Ends; **ANSI 250lb Drilling B16.1**
 Sizes--6", 8", 10", 12", 14", 16", 18", 20", 24", 30", 36"
- 350psig (2415kPa/24 barg) maximum working pressure with temperatures to 250°F
- Meets or exceeds all applicable requirements of ANSI/AWWA C504 Standard Class 250B; NSF 61/372 certified
- Body - Ductile Iron ASTM A-536 (65-45-12)
- Available in sizes 6"-48" (FLxFL) & 6"-36" (MJxMJ)
- 17-4 stainless steel shaft
- Disc - Ductile Iron ASTM A-536 (65-45-12)
- Nonmetallic bearings prevent galvanic corrosion & provides lower coefficient of friction
- Chevron "V" type packing is self-adjusting to last the life of the valve



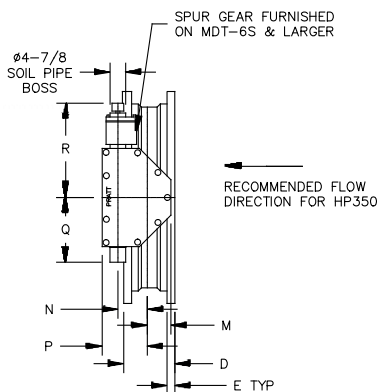
6"-24" (FLxFL)
6"-24" (MJxMJ)

30"-48" (FLxFL)
30"-36" (MJxMJ)

Options

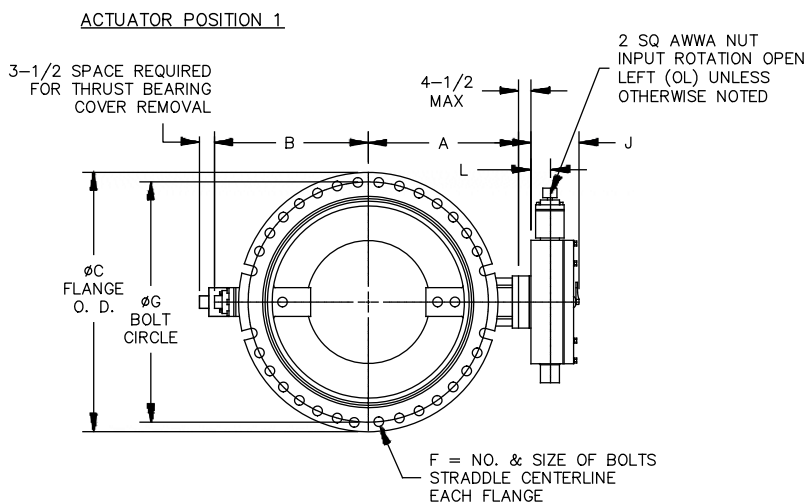
- Manual traveling nut or worm gear
- Electrical motor or cylinder actuator
- Full range of extensions, indicators, positioners, remote controls, and other accessories available
- Actuator options: Nut; Handwheel; Buried service

Dimensions - 6"-36" Mechanical Joint Ends, Manual Actuator



Dim.	Valve Size										
	6"	8"	10"	12"	14"	16"	18"	20"	24"	30"	36"
A	7.25	8.50	9.75	11.50	12.75	14	15.25	17	19.75	25.63	28.13
B	8.38	9.63	13.31	12.63	13.88	15.13	16.38	17.63	20.25	25.50	30.63
C	11.06	13.31	15.63	17.88	20.25	22.50	24.75	27	31.50	39	45.88
D	10	10	10	10	12.50	12.50	13.25	13.25	13.25	18	22
E	1.06	1.13	1.19	1.25	1.31	1.38	1.44	1.50	1.63	1.81	2
F	6-0.75	6-0.75	8-0.75	8-0.75	10-0.75	12-0.75	12-0.75	14-0.75	16-0.75	20-1.13	24-1.13
G	9.50	11.75	14	16.25	18.75	21	23.25	25.50	30	36-0.88	43.75
X	5	5	5	5	5.50	5.50	6.25	6.25	6.25	10	14

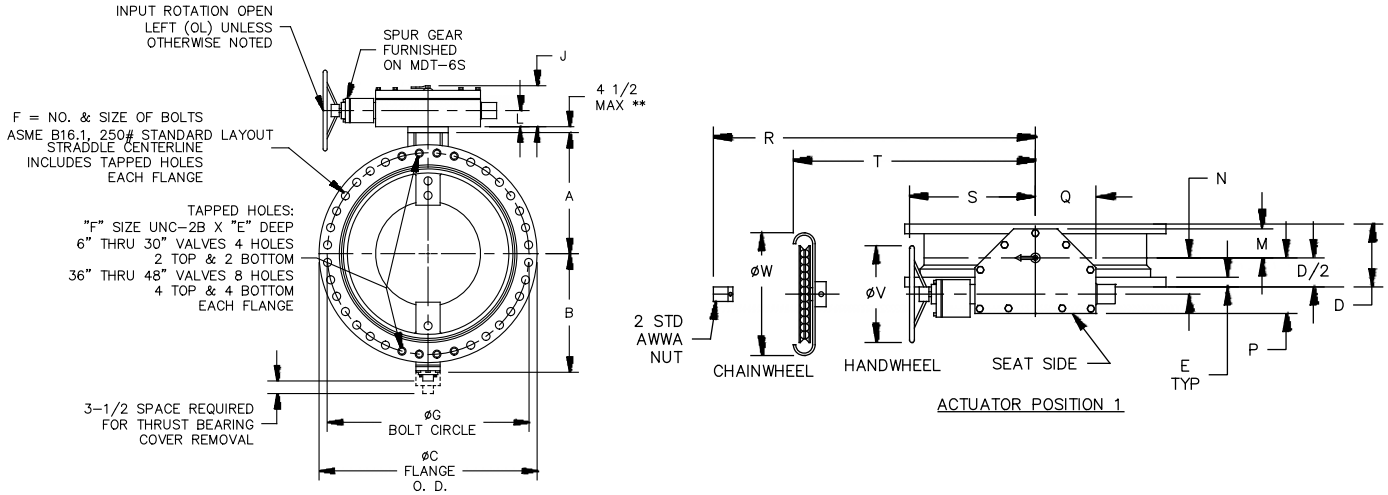
Dimensions - MDT Manual Actuator Dimensional Data



Dim.	MDT Size					
	MDT-2S	MDT-3S	MDT-4S	MDT-5	MDT-5S	MDT-6S
J	4.69	5.63	6.38	7.56	8.31	10.19
L	2	2.44	2.84	3.47	3.94	5.06
M	2.13	3.25	3.38	4.50	5.50	7
N	2	3.16	4	5.50	3.63	8.25
P	4.50	5.63	7.31	8.75	10.50	12.63
Q	4.25	5.38	6.75	10	15.94	18.56
R	8.25	10.38	11.31	17	18.63	26.50
# Turns to Close	32	30	40	44	136	215

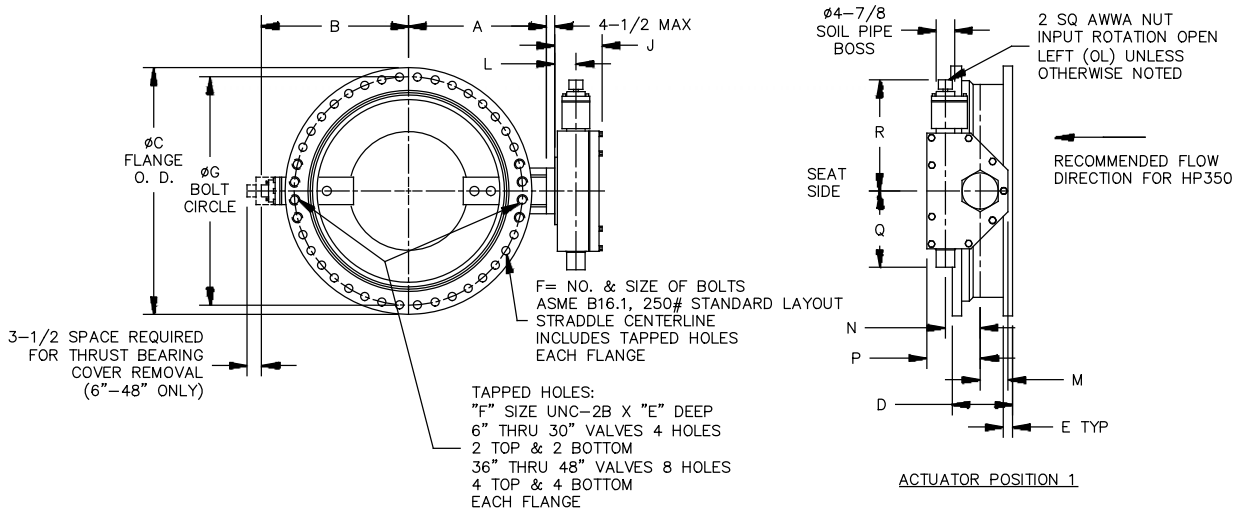
NOTES:
 • All dimensions shown are in inches
 • Furnished in standard position
 Contact factory for other mounting positions

Dimensions - 6"-48" Flanged Ends - Manual Actuator



Dimension	Valve Size													
	6"	8"	10"	12"	14"	16"	18"	20"	24"	30"	36"	42"	48"	
A	7.25	8.50	9.75	11.50	12.75	14	15.25	17	19.75	25.63	28.13	32.13	36.25	
B	8.38	9.63	11	12.63	13.88	15.13	16.38	17.63	20.25	26	31.13	35.13	39.63	
C	12.50	15	17.50	20.50	23	25.50	28	30.50	36	43	50	57	65	
D	6	8	8	8	12	12	12	12	12	12	15	15	15	
E	1.44	1.63	1.88	2	2.13	2.25	2.38	2.50	2.75	3	3.38	3.69	4	
F	12-0.75	12-0.88	16-1.00	16-1.13	20-1.13	20-1.25	24-1.25	24-1.25	24-1.50	28-1.75	32-2.00	36-2.00	40-2.00	
G	10.63	13	15.25	17.50	20.25	22.50	24.75	27	32	39.25	46	52.75	60.75	

Dimensions - 6"-48" Flanged Ends - Burried Service Actuator

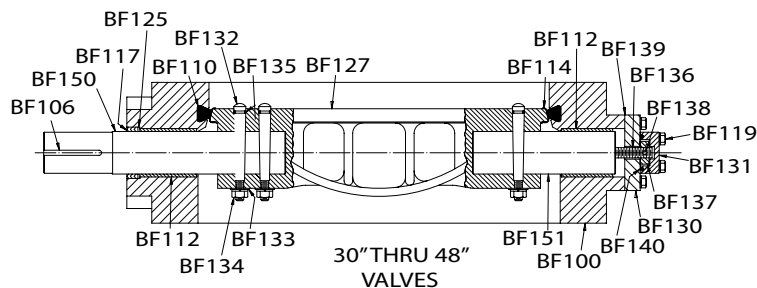
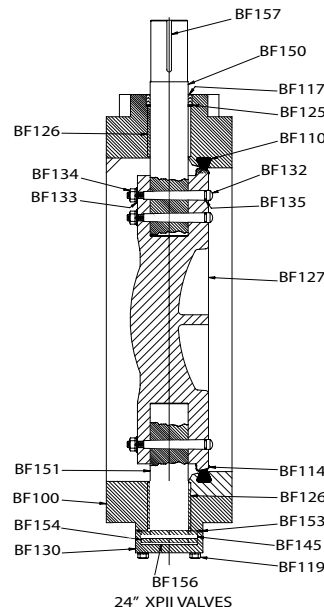
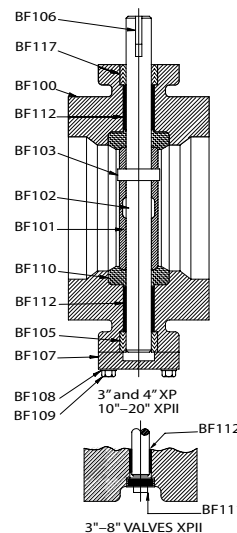


Dimension	Valve Size													
	6"	8"	10"	12"	14"	16"	18"	20"	24"	30"	36"	42"	48"	
A	7.25	8.50	9.75	11.50	12.75	14	15.25	17	19.75	25.63	28.13	32.13	36.25	
B	8.38	9.63	11	12.63	13.88	15.13	16.38	17.63	20.25	26	31.13	35.13	39.63	
C	12.50	15	17.50	20.50	23	25.50	28	30.50	36	43	50	57	65	
D	6	8	8	8	12	12	12	12	12	12	15	15	15	
E	1.44	1.63	1.88	2	2.13	2.25	2.38	2.50	2.75	3	3.38	3.69	4	
F	12-0.75	12-0.88	16-1.00	16-1.13	20-1.13	20-1.25	24-1.25	24-1.25	24-1.50	28-1.75	32-2.00	36-2.00	40-2.00	
G	10.63	13	15.25	17.75	20.25	22.50	24.75	27	32	39.25	46	52.75	60.75	

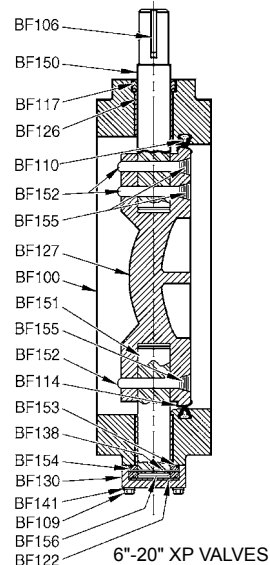
Rev. 10-17 Shaded area indicates changes

Line seal XP™ & XP11® Butterfly Valve Replacement Parts

Catalog Part No.	Description	Material
BF100	Body	Ductile Iron ASTM A-536 (65-45-12)
BF101	Disc	Ductile Iron ASTM A-536 (65-45-12), Edge Type 316 Stainless Steel (3" and 4" Cast Stainless Steel Grade CF8M)
BF102	Shaft	Stainless Steel ASTM A-564 Type 630 Cond. H-1150
BF103	Squeeze Pin	Stainless Steel ASTM A-564 Type 630 Cond. H-1150
BF106	Key	Steel AISI C-1045
BF107	Cover	Cast iron ASTM A-48 Class 40
BF108	Lockwasher	Stainless ASTM A-276 Type 304
BF109	Capscrew	Stainless ASTM A-276 Type 304
BF110	Seat	Buna N (EPDM optional)
BF111	Plug	Stainless Steel
BF112	Bearings	PTFE Lined Stainless Steel backed (6" & 8", XP II only) Nylatron GS
BF114	Disc edge	Stainless Steel ASTM A-240 Type 316
BF117	Packing	Buna N Chevron V Type
BF119	Capscrews	Stainless Steel Type 304
BF125	Packing retainer	Nylon
BF126	Bearings	PTFE Lined, Fiberglass backed
BF127	Disc	Ductile Iron ASTM A-536 Grade 65-45-12
BF130	Bottom cover	Cast Iron ASTM A-126 ClassB
BF131	Bottom cover cap	Cast Iron ASTM A-126 ClassB
BF132	Taper pins	Stainless Steel Type 630 ASTM A-564 Cond. H-1150
BF133	Lockwashers	Stainless Steel Type 304
BF134	Hex nuts	Stainless Steel Type 304
BF135	O-rings	Buna N (EPDM Optional)
BF136	Thrust bearing stud	Stainless Steel ASTM A-564 Type 630 Cond. H-1150
BF137	Thrust collar	Bronze ASTM B-505 Alloy C93200
BF138	Groove pin	Alloy Steel
BF139	Bottom cover gasket	Non Asbestos material ASTM F104
BF140	O-ring	Buna N (EPDM optional)
BF150	Top stub shaft	Stainless Steel Type 630 ASTM A-564 Cond. H1150
BF151	Bottom stub shaft	Stainless Steel Type 630 ASTM A-564 Cond. H1150
BF152	Squeeze Pins	Stainless Steel
BF153	O-ring	Buna N (EPDM Optional)
BF154	Thrust collar	Bronze ASTM B-505 Alloy C93200
BF156	Thrust shim	Brass Alloy C26000 Half Hard (HO2)
BF157	Key	Carbon Steel ANSI 1018



* Contact your Mueller representative for sizes larger than 48".



MUELLER® LINESEAL III®, LINESEAL XP™, LINESEAL XP II®, LINESEAL 350® BUTTERFLY VALVE ORDERING INSTRUCTIONS



11.19

Shaded area indicates change Rev. 8-17

Ordering Instructions for MUELLER® LINESEAL III®, LINESEAL XP™, LINESEAL XP II® & LINESEAL 350® Butterfly Valves with Manual Actuators

1. Quantity: _____
2. Size of Valve: _____
3. Body Style:
 - _____ FLG x FLG (3"-48" ANSI B16.1 Class 125)
 - _____ FLG x FLG (3"-48" ANSI B16.1 Class 250)
 - _____ MJ x MJ (4"-48")
 - _____ FLG x MJ (6"-36")
 - _____ SLP x SLP (12" or 16")
 - _____ FLG x SLP (12" or 16")

Other: _____

Note: MJ valves are supplied without accessory kits standard.

4. Class of valve _____ (150B, 250B, or 350B)
5. Please provide the following information in addition to the valve class (if known) listed in question 4.
 PRESSURE: Normal _____ psig Maximum _____ psig
 FLOW: Normal _____ psig Maximum _____ psig
6. Type of service: Water _____ Air _____
7. Type of operation: _____ Handwheel
 _____ Chainwheel _____ 2" Square nut _____ Integral disc position indicator _____ Extension stem (stem length) _____
8. Direction of opening: _____ Counter clockwise
 _____ Clockwise
9. Coating Requirement*:
 _____ mils of Ameron 370 (4 or 8 standard)
10. Number of certificates of compliance to AWWA C504 required: _____

Please note below any additional information or requirements such as extended bonnets and torque tubes, floor stand mounted actuators, special actuator positioning, and special coatings.

PLEASE PROVIDE AS MUCH DESCRIPTIVE INFORMATION AND/OR SPECIFICATIONS AS POSSIBLE TO ENABLE US TO PROVIDE THE MOST SUITABLE VALVE FOR YOUR NEEDS. DO NOT HESITATE TO ATTACH ADDITIONAL PAGES.

Accessory items required (Stems Guides, Ground Line Position Indicators, Floor Stands, etc.) **

**In order to provide valves that meet NSF 61 requirements and certify to that, Ameron 370 will be the paint supplied between 4-24mils thickness. Other paints or mil thickness greater 24 mils will not be NSF 61 compliant.
 ** Accessory items are listed on pages 11.3, 11.10 and 11.12*

Rev. 8-17 Shaded area indicates changes

Ordering Instructions for Mueller® LINESEAL III®, LINESEAL XP™, LINESEAL XPii® & LINESEAL 350® Butterfly Valves with Electric Actuators

1. Quantity: _____

2. Size of Valve: _____

3. Body Style:

_____ FLG x FLG (3"-48" ANSI B16.1 Class 125)

_____ FLG x FLG (3"-48" ANSI B16.1 Class 250)

_____ MJ x MJ (4"-48")

_____ FLG x MJ (6"-36")

Other: _____

Note: MJ valves are supplied without accessory kits standard.

4. Class of valve _____ (150B, 250B, or 350B)

5. Please provide the following information in addition to the valve class (if known) listed in question 4.

PRESSURE: Normal _____psig Maximum _____psig

FLOW: Normal _____psig Maximum _____psig

6. Type of service: Water _____ Air _____

7. Maximum Fluid Line Temperature _____ °F.

8. Direction of Opening: Counter Clockwise _____
Clockwise _____

9. Power source Available: Volts _____ Phase _____
HZ _____

10. Operating Time from Full Open to Full Close:
Min. _____ Sec. _____

11. Enclosure Classification: Weatherproof _____
Explosion Proof _____ Submersible _____

12. Push Button Station Required: Yes _____ No _____

13. Accessories: Manual Override _____ Limit
Switches _____ Potentiometer _____ Reversing
Starter _____ Motor Heater _____ Extended Duty
Motor _____ Other _____

14. Valve Function: Open/Close _____
Modulating _____

15. Application: Buried _____ Submerged _____
In-plant _____ Above Ground _____

16. Coating Requirement*:

_____mils of Ameron 370 (4 or 8 standard)

17. Number of Certificates of Compliance to AWWA
C-504 required. _____

Please note below any additional information or requirements such as extended bonnets and torque tubes, floor stand mounted actuators, special actuator positioning, and special coatings.

PLEASE PROVIDE AS MUCH DESCRIPTIVE INFORMATION AND/OR SPECIFICATIONS AS POSSIBLE TO ENABLE US TO PROVIDE THE MOST SUITABLE VALVE FOR YOUR NEEDS. DO NOT HESITATE TO ATTACH ADDITIONAL PAGES.

Accessory items required (Stems Guides, Ground Line Position Indicators, Floor Stands, etc.): **

*In order to provide valves that meet NSF 61 requirements and certify to that, Ameron 370 will be the paint supplied between 4-24mils thickness. Other paints or mil thickness greater 24 mils will not be NSF 61 compliant.

** Accessory items are listed on pages 11.3, 11.10 and 11.12.

MUELLER® LINESEAL III®, LINESEAL XP™, LINESEAL XPII®, LINESEAL 350® BUTTERFLY VALVE ORDERING INSTRUCTIONS



11.21

Shaded area indicates change Rev. 8-17

Ordering Instructions for Mueller® LINESEAL III®, LINESEAL XP™, LINESEAL XPII® & LINESEAL 350® Butterfly Valves with Cylinder Actuators†

1. Quantity: _____

2. Size of Valve: _____

3. Body Style:

_____ FLG x FLG (3"-48" ANSI B16.1 Class 125)

_____ FLG x FLG (3"-48" ANSI B16.1 Class 250)

_____ MJ x MJ (4"-48")

_____ FLG x MJ (6"-36")

Other: _____

Note: MJ valves are supplied without accessory kits standard.

4. Class of valve _____

5. Please provide the following information in addition to the valve class (if known) listed in question 4.

PRESSURE: Normal _____ psig Maximum _____ psig

FLOW: Normal _____ psig Maximum _____ psig

6. Type of service: Water _____ Air _____

7. Cylinder Supply Available:

Water _____ Air _____ Air/Oil _____ Oil _____

8. Minimum Supply Pressure Available to Actuate Cylinder: _____ psig

9. Fail Safe Spring Return Required?

Yes _____ No _____

10. Manual Override Required?

Yes _____ No _____

11. Accessories: Speed Control _____ Positioner _____

_____ Solenoid _____ Limit Switches (qty) _____

Other _____

12. Cylinder Material:

Non-Metallic _____ Metallic _____

13. Valve Function: Open/Close _____ Modulating _____

14. Maximum Fluid Line Temperature _____ °F.

15. Coating Requirement*:

_____ mils of Ameron 370 (4 or 8 standard)

16. Number of Certificates of Compliance to AWWA C-504 required. _____

Please note below any additional information or requirements such as extended bonnets and torque tubes, floor stand mounted actuators, special actuator positioning, and special coatings.

PLEASE PROVIDE AS MUCH DESCRIPTIVE INFORMATION AND/OR SPECIFICATIONS AS POSSIBLE TO ENABLE US TO PROVIDE THE MOST SUITABLE VALVE FOR YOUR NEEDS. DO NOT HESITATE TO ATTACH ADDITIONAL PAGES.

Accessory items required (Stems Guides, Ground Line Position Indicators, Floor Stands, etc.):**

*In order to provide valves that meet NSF 61 requirements and certify to that, Ameron 370 will be the paint supplied between 4-24mils thickness. Other paints or mill thickness greater 24 mils will not be NSF 61 compliant.

**Accessory items are listed on pages 11.3, 11.10, and 11.12.

†Please provide Cylinder Specifications if available.

11.22



Rev. 9-09 Shaded area indicates changes



Reliable Connections™

www.muellercompany.com
moreinfo@muellercompany.com
