

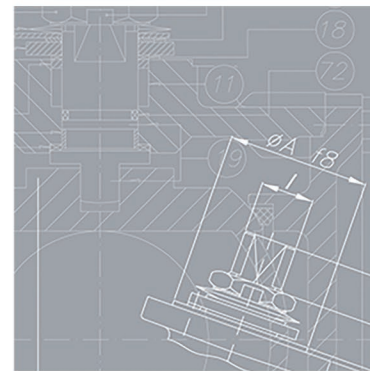
# Technical Datasheet

## ANSI Ball Valves

800

**JC**  
**VALVES**

*The quality option*



[sales@jc-valves.com](mailto:sales@jc-valves.com)

[www.jc-valves.com](http://www.jc-valves.com)

## ANSI Ball Valves

Floating



2014/68/EV



FUGITIVE EMISSIONS  
EN-ISO 15848-1  
TALUFT / VDI 2440

- Valve design: B16.34
- Body design: ASME VIII Div.1
- Shell thickness: ASME B16.34
- NPT / SW / BW / BSP
- Face to face dimensions: Manufacturer STD.
- Face to face dimensions: Manufacturer STD.
- Marking: CE-PED / EN 19
- Pressure testing: API 598 / API 6D
- ISO 5211

## Certifications

### Company Certificates

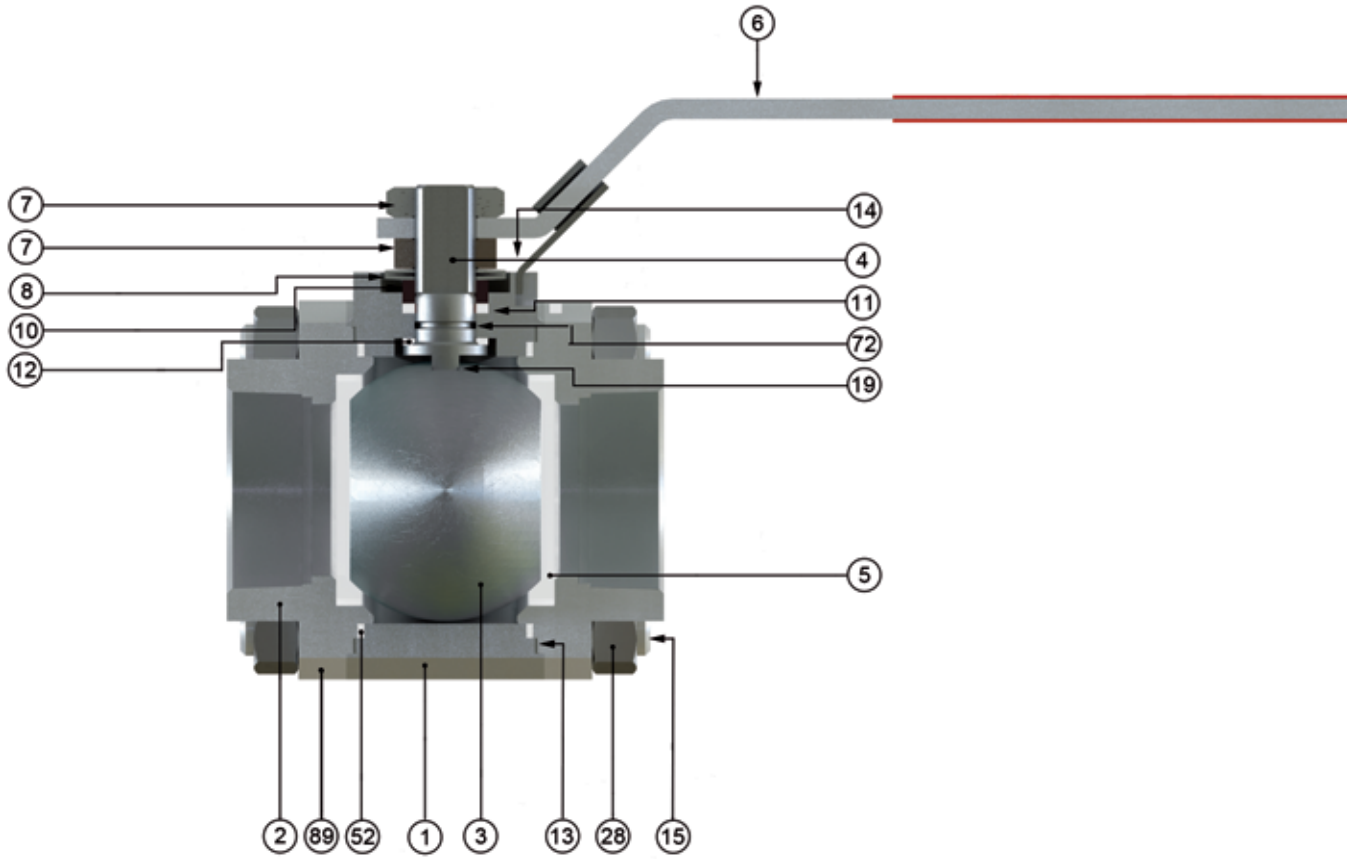
- ISO9001 Quality Management System
- ISO14001 Environmental Management System

### Product Certificates

- Fire Safe API 607, ISO 10497, API 6FA
- Fugitive Emissions ISO 15848, TA LUFT (VDI 2440)
- PED 2014/68/EU - CE marking
- ATEX 2014/34/EU- (II2GD)
- Russian Federation Certificate TRCU 10, TRCU 12, TRCU 32
- CRN (Canadian Registration Number)
- Safety Integrity Level (SIL) LEVEL 3 IEC 61508

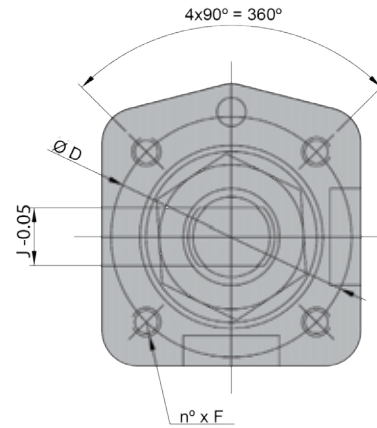
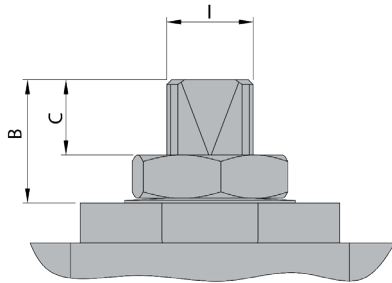
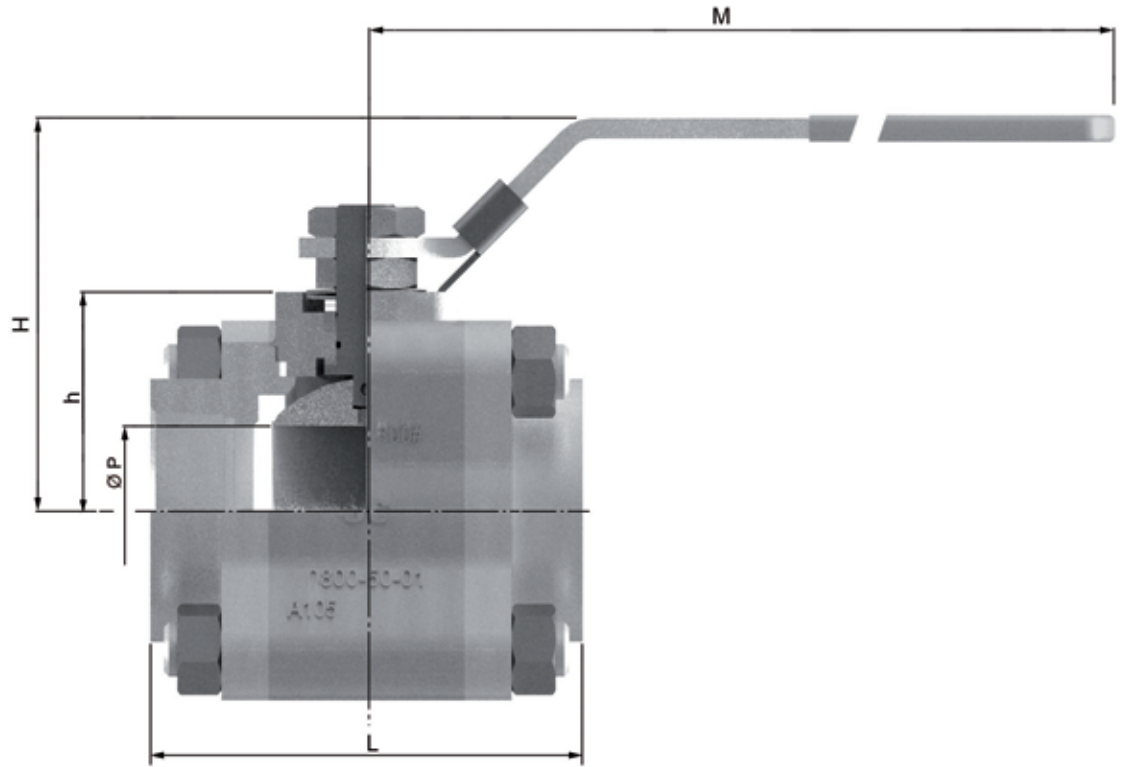
## ANSI Ball Valves

F l o a t i n g



Item	Description	Material		
		A.I.CG.	I.I.CG.	L.I.CG.
1 / 2	Body / Body Connector	ASTM A105N	A 479 Tp.316L	ASTM A 352 LF2 CL.1
3	Ball		A 479 Tp.316	
4	Stem		A 479 Tp.316	
5	Seat ring		RPTFE	
6	Wrench		Carbon Steel + Zincated Plated	
7	Gland nut	Zinc plated carbon steel	AISI 316	
8	Disk spring	Carbon St.	A 666 Tp.301	
10	Gland		AISI 316	
11	Gland packing		Graphite	
12	Stem thrust seal		TFM+25% F.V.	
13	Body connector seal		Graphite	
14	Stop pin	Carbon St.	Stainless St.	
15	Stud	A 193 Gr. B7M Zinc Bichromated	A 193 Gr. B8M	A 320 Gr. L7M Zinc Bichromated
19	Antistatic device		Stainless Steel	
28	Nut	A 194 Gr. 2HM Zinc Bichromated	A 194 Gr. 8M	A 194 Gr. 7M Zinc Bichromated
52	Body connector seal		PTFE	
72	O-Ring		FKM	
89	Identification plate		Stainless St.	

## ANSI Ball Valves Floating



Series 800 (Class 800)

\* Weight in Kg \* Dimensions in mm

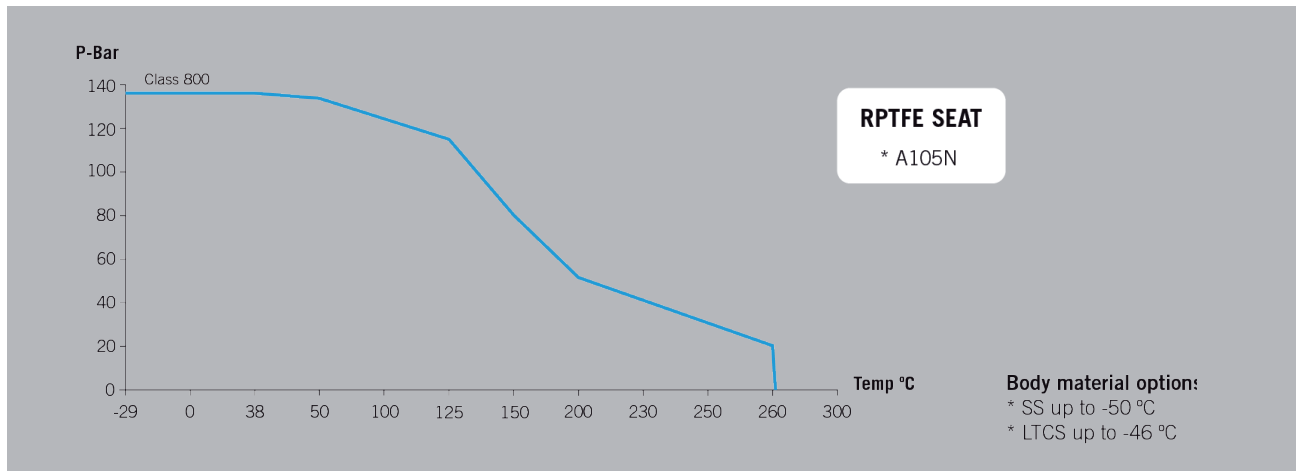
DN	Ø P	L	h	H	M	B	C	Ø D	n° X F	I	J	WEIGHT
3/8"	9.5	68	29	60	170	11	7,5	36	4xM5	M10x1	7	0,9
1/2"	15	72	31,4	62	170	13,3	9,5	36	4xM5	M10x1	7	1
3/4"	20	94	39	75	215	18,4	13,4	42	4xM5	M12x1,5	9,5	2
1"	25	106	41	78	215	21,4	15,7	42	4xM5	M12x1,5	9,5	2,5
1 1/4"	32	117	73	94	245	20,5	15	50	4xM6	M16x1,5	9,5	4
1 1/2"	40	125,5	55,7	99	245	33,3	26	50	4xM6	M16x1,5	9,5	5,6
2"	50	128	64	115	300	26	16,5	50	4xM6	M18x1,5	12	7,7

## Differential Pressure 800 #

DN	BTO	RTO	ETO	BTC	RTC	ETC	MAST
3/8"	8	4	5	6	4	6	14
1/2"	9	5	5	7	5	7	14
3/4"	18	9	11	14	9	14	26
1"	22	11	13	17	11	18	26
1.1/4"	40	20	24	30	20	32	53
1.1/2"	51	26	31	38	26	41	53
2"	75	38	45	56	38	60	92

ANSI Ball Valves  
Flow Rating

## Pressure – Temperature Charts



## ANSI Ball Valves Flowing

Fig.800 Full Bore  
(BSPF / BSPF)

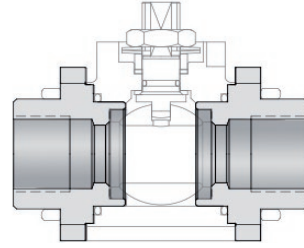


Fig.801 Full Bore  
(NPTF / NPTF)

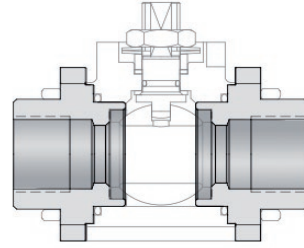


Fig.802 Full Bore  
(SW / SW)

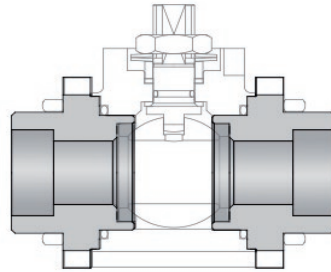


Fig.803 Full Bore  
(BW / BW)

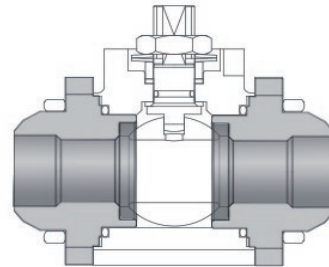


Fig.804 Full Bore  
(BW / NPTM)

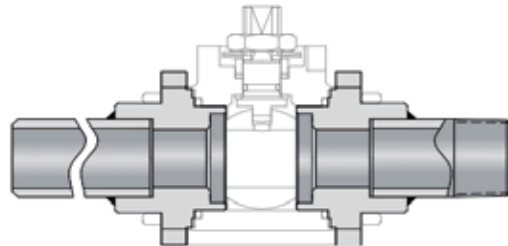
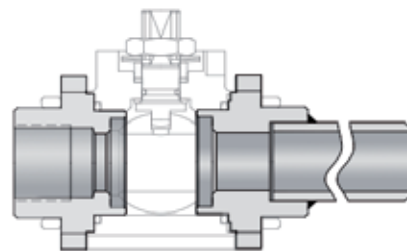


Fig.804H Full Bore  
(NPTF / BW)



## ANSI Ball Valves Flowing

Fig.805 Full Bore  
(NPTF / SW)

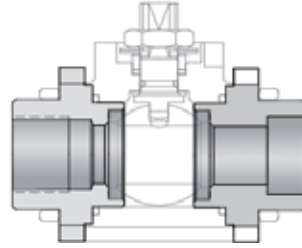


Fig.805TV Full Bore  
(NPTF / BSPPM)

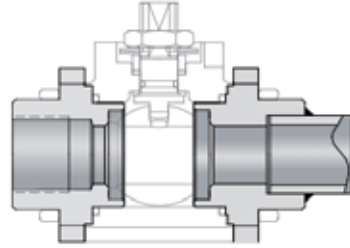


Fig.806 Full Bore  
(NPTM / NPTM)

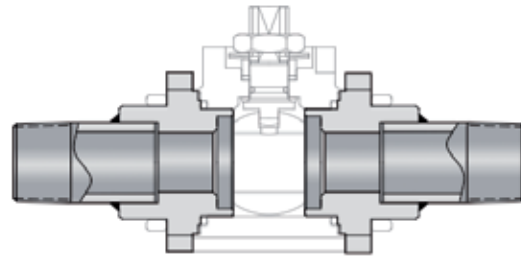


Fig.807 Full Bore  
(BW / BW)

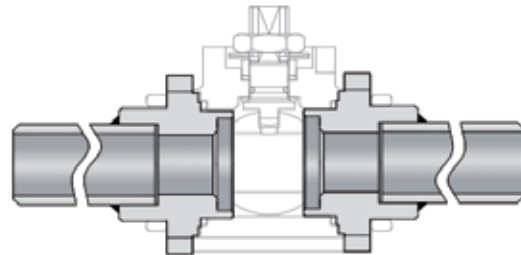


Fig.808 Full Bore  
(NPTM / NPTM)

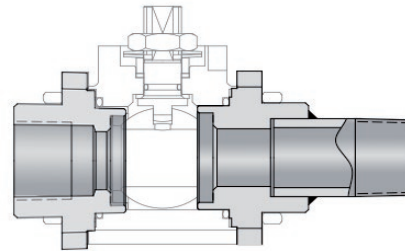
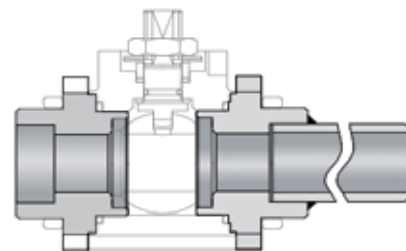


Fig.809 Full Bore  
(SW / BW)



**NOTES:**

**BSP F: BSP FEMALE PARALLEL THREAD - ACC. BS21**  
**BSP M: BSP MALE PARALLEL THREAD - ACC. BS21**

**NPT F: NPT FEMALE THREAD - ACC. ASME B16.11**  
**NPT M: NPT MALE THREAD - ACC. ASME B1.20**

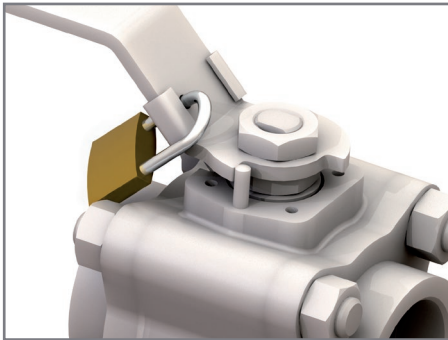
# ANSI Ball Valves Flow Rating



Simple Stem Extension



Stem Extension



Locking Device



Oval Handwheel



Valve Automation option  
available on Request