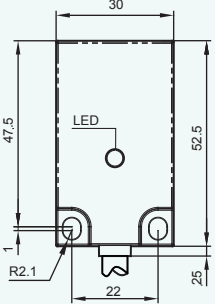
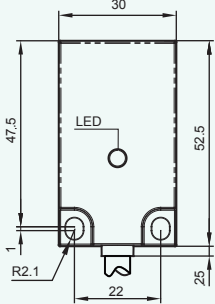


Housing style	Q30	Q30	
Sensing distance	10mm	15mm	
Mounting condition	Flush	Non-flush	

Dimensions			

Operating Voltage	10...30VDC	10...30VDC	
Operating Current	≤200mA	≤200mA	
Connection	2M, PVC Cable	2M, PVC Cable	
Voltage Drop.	≤2.5V	≤2.5V	
Residual Current	—	—	
Short-circuit protection	built-in	built-in	
Switching Freq.	400Hz	400Hz	
Hysteresis % Sr	3...15%	3...15%	
Repeatability	≤5%Sr	≤5%Sr	
Housing material	PBT	PBT	
Protection degree	IP67	IP67	
Operating Temp.	-25~70°C	-25~70°C	
Output LED	yellow	yellow	

Output function | Type & Item No.

PNP,NO	IB10-Q30T-E2/2M A0430018	IN15-Q30T-E2/2M A0430005	
PNP,NC	IB10-Q30T-E3/2M A0430019	IN15-Q30T-E3/2M A0430006	
PNP,NO+NC	IB10-Q30T-D2/2M A0430021	IN15-Q30T-D2/2M A0430002	
NPN,NO	IB10-Q30T-E0/2M A0430016	IN15-Q30T-E0/2M A0430003	
NPN,NC	IB10-Q30T-E1/2M A0430017	IN15-Q30T-E1/2M A0430004	
NPN,NO+NC	IB10-Q30T-D0/2M A0430020	IN15-Q30T-D0/2M A0430001	