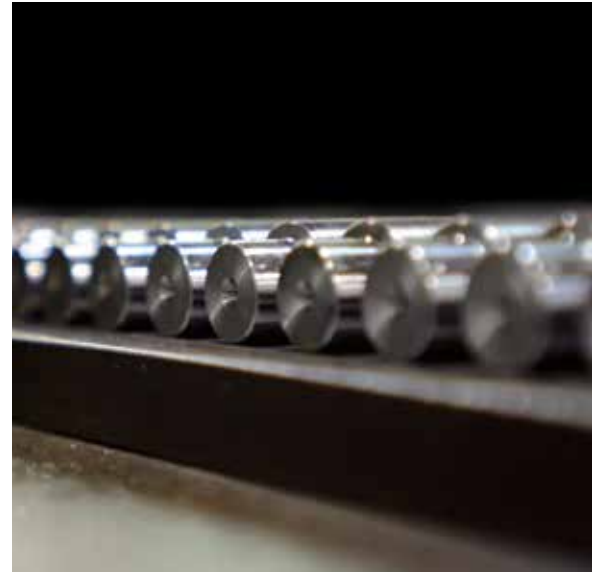
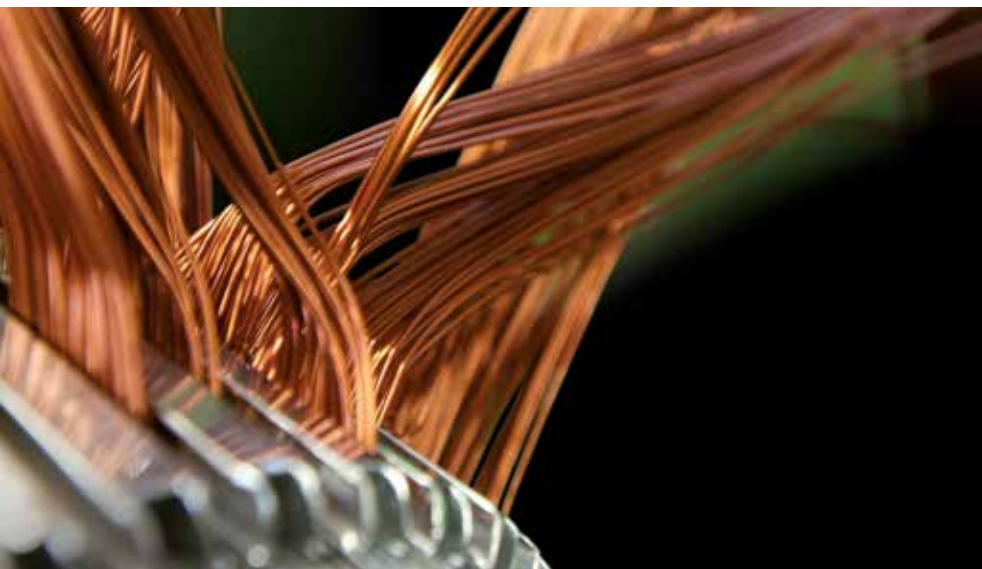

*Safety
Without Compromises*



Hoist Drive Units and Motors

for Cranes and Hoists



Safety without Compromises Hoist Drive Units and Motors

Benefits & Advantages

40 years of experience and more than one million delivered hoist drive units: That is the sound foundation of ABM Greiffenberger's specially designed product program for the demanding hoist technology. We are your single source for hoist drive units, hoist motors all the way to travel drive units and frequency inverters. Thereby, our powerful, durable and cutting edge solutions secure your competitive advantage.

Hoist drive units from ABM Greiffenberger lift loads from 3.2 t to 40 t (Reeving 4/1, FEM 2m) with absolute safety and reliability. Aluminium housings provide low weight and high corrosion resistance. U-shaped drum mounting allows for simple and space saving designs.

Many advantages thanks to ABM Greiffenberger know-how:

Low hoist motor starting current and dynamic starting characteristic provide for high crane performance. Even at high throughput rates ABM Greiffenberger hoist motors assure precise and safe load handling with soft acceleration, extreme smoothness and low-wear dual-surface safety brakes. In case of a power loss the brake engages automatically. During normal operation it reacts quickly and is extremely durable and low in maintenance.

The motor transmits the torque through the special hoist drive unit to the drum resulting in a compact, space saving design. High-grade helical gearing allows for low wear and quiet operation – even at high loads. Supporting the drum on the output shaft provides cost savings.

Of course ABM Greiffenberger hoist motors are also available without gearboxes.

ABM Greiffenberger hoist drive units excel at:

- Light weight ⇒ reduced shipping costs, easy mounting
- High efficiency ⇒ energy saving
- Compact design ⇒ small space requirement
- Increased axle distance ⇒ favorable mounting conditions
- Dynamic speed torque curve ⇒ high start and brake-down torque
- Two-surface safety brake ⇒ safe braking without swinging of the load
- Bearing support of drum integrated into hoist drive gearbox
- High corrosion resistance

Safety without Compromises Hoist Drive Units and Motors



General Technical Data

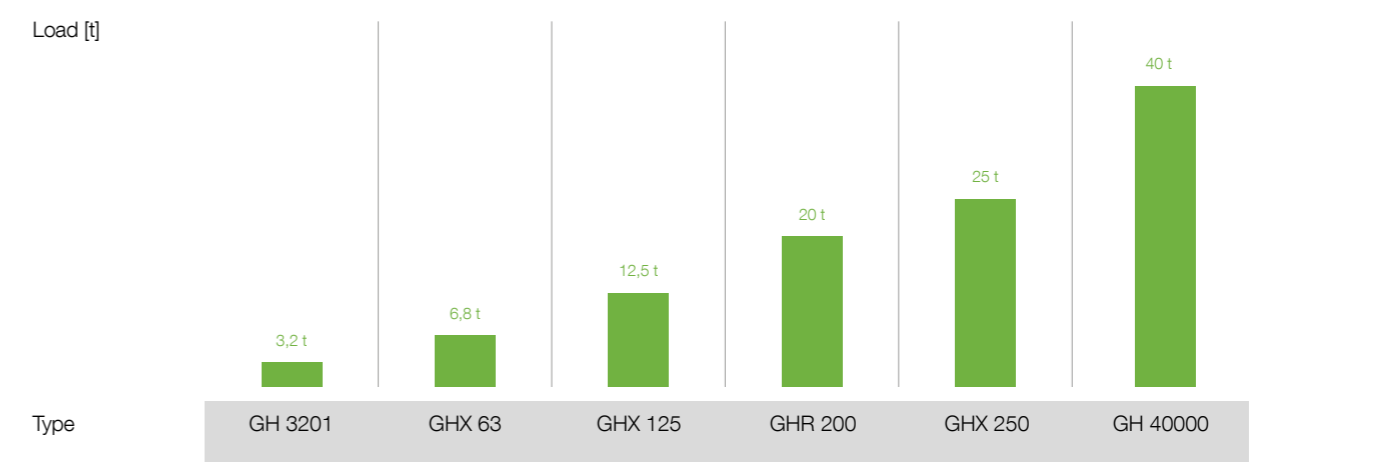
Motor Type	12/2-pole or frequency inverter operation
Rated output	Up to 38 kW
Type of gearbox	3-stage aluminium, shaft mounted gearbox for direct mounting of drum
Lifting speed	4 - 15 m/min at 4/1 reeving
Lifting Capacity	3.2 up to 40 t
Protection class	IP54 (optional IP65)
Ventilation	Self ventilated or forced ventilation
Design	According to FEM
Brake	Two-surface safety brake High-speed excitation rectifier, function- and wear-monitoring available as options

Based on your load specification, lifting speed and FEM class ABM Greiffenberger lifting technology specialists will configure the optimum drive unit. FEM classification emphasizes the quality of the drive units. At most competitive conditions you receive an extended service life (SWP).

Even outside of the regular product portfolio you are in good hands with ABM Greiffenberger. With profound know-how and supported with powerful design software (i.e. KISSsoft, CAD-Tools, etc.) experienced engineers develop optimized drive unit solutions. FEM-analyses to validate the development results are as self-evident as custom tests in our well-equipped test bays.

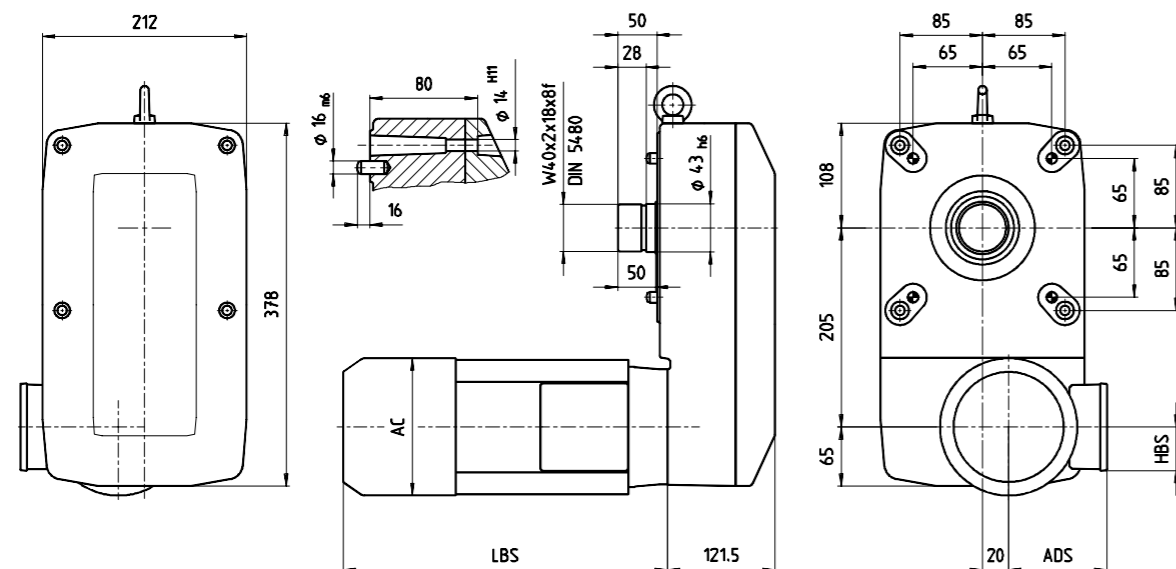
Even with difficult voltage conditions and in rough environments the powerful ABM Greiffenberger drive units function reliably and safely. Even with soft start their dynamic start-up curve assures high starting, pull-up and breakdown torques.

Output Overview Hoist Drive Units (Reeving 4/1, FEM 2m)



Hoist Drive Unit GH 3201 - Two Speed

Dimensional Print



Technical Data

Lifting Capacity	Up to 3.2 t
Lifting Speed	4 / 5 / 6.3 / 8 at 4/1 reeving
Drum Diameter	140 mm
Motor Output	0.37 / 2.5 - 0.6 / 4.0 kW (12/2-pole)
Output Shaft	DIN 5480 - W40x2x18x8f
Protection Class	Motor IP65, brake IP54 (optional IP65)
Standard	PTC and thermal sensors Tropical and corrosion protection CE and UL/CSA approbation
Options	CSA approbation Other FEM classes and reeving upon request

Motor Related Dimensions [mm] & Weights [kg]

Motor Type	AC	LBS	ADS	HBS	Weight Drive Unit
ZFB40/GH3201/4D100Lb4x-12/2 UL TT	195	372	141	61.5	48
ZFB40/GH3201/4D100Lc4x-12/2 UL TT	195	372	141	61.5	50
ZFB40/GH3201/4D100L4x-12/2 UL TT	195	401.5	141	61.5	56

Hoist Drive Unit GH 3201 - Two Speed

Drum Diameter 140 mm | Reeving 4/1

Output up to 2.5 (3.0) kW

Pos.	Load [t]	ISO	FEM	v [m/min]	P [kW]	f [Hz]	Ratio [-]	Torque [Nm]	Type
1	3.2	M5	2m	0.7 / 4.0 (0.8 / 4.8)	0.37 / 2.5 (0.44 / 3.0)	50 (60)	78.6	28	ZFB40/GH3201/4D100Lb4x-12/2 UL TT
	2.5	M6	3m						
	2	M7	4m						

Output up to 3.2 (3.8) kW

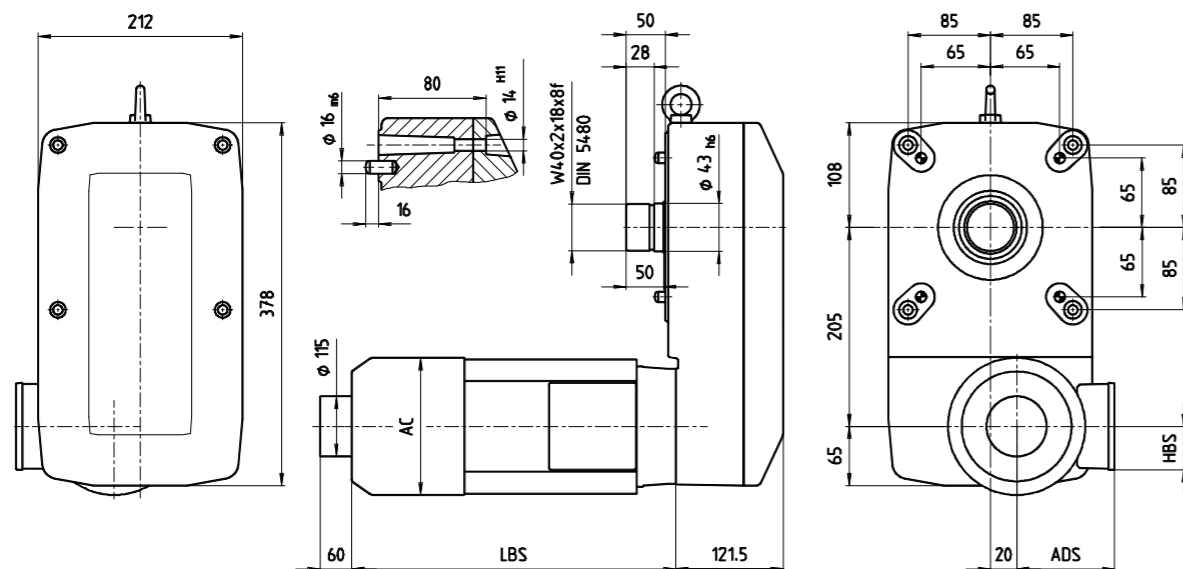
Pos.	Load [t]	ISO	FEM	v [m/min]	P [kW]	f [Hz]	Ratio [-]	Torque [Nm]	Type
1	3.2	M5	2m	0.8 / 5.0 (1.0 / 6.0)	0.45 / 3.2 (0.54 / 3.8)	50 (60)	62.6	28	ZFB40/GH3201/4D100Lc4x-12/2 UL TT
	2.5	M6	3m						
	2	M7	4m						

Output up to 4.0 (4.8) kW

Pos.	Load [t]	ISO	FEM	v [m/min]	P [kW]	f [Hz]	Ratio [-]	Torque [Nm]	Type
1	3.2	M5	2m	1.0 / 6.3 (1.2 / 7.6)	0.6 / 4.0 (0.72 / 4.8)	50 (60)	49.5	40	ZFB40/GH3201/4D100L4x-12/2 UL TT
	2.5	M6	3m						
	2	M7	4m						
2	2.5	M5	2m	1.3 / 8.0 (1.6 / 9.6)	0.6 / 4.0 (0.72 / 4.8)	50 (60)	39.4	40	ZFB40/GH3201/4D100L4x-12/2 UL TT
	2	M6	3m						
	1.6	M7	4m						

Hoist Drive Unit GH 3201 - Inverter Operation

Dimensional Print



Technical Data

Lifting Capacity	Up to 3.2 t
Lifting Speed	4 / 5 / 6.3 / 8 at 4/1 reeving
Drum Diameter	140 mm
Motor Output	2.5 - 4.0 kW (4-pole @ 100 Hz)
Output Shaft	DIN 5480 - W40x2x18x8f
Protection Class	Motor IP65, brake IP54 (optional IP65)
Standard	PTC and thermal sensors Tropical and corrosion protection CE and UL/CSA approbation
Options	Encoder, Auxiliary fan, CSA approbation, Other FEM classes and reevings upon request

Motor Related Dimensions [mm] & Weights [kg]

Motor Type	AC	LBS	ADS	HBS	Weight Drive Unit
ZFB40/GH3201/4D100La-4 UL TT	195	372	141	61.5	45
ZFB40/GH3201/4D100Lb-4 UL TT	195	372	141	61.5	48

Hoist Drive Unit GH 3201 - Inverter Operation

Drum Diameter 140 mm | Reeving 4/1

Output up to 2.5 (3.0) kW

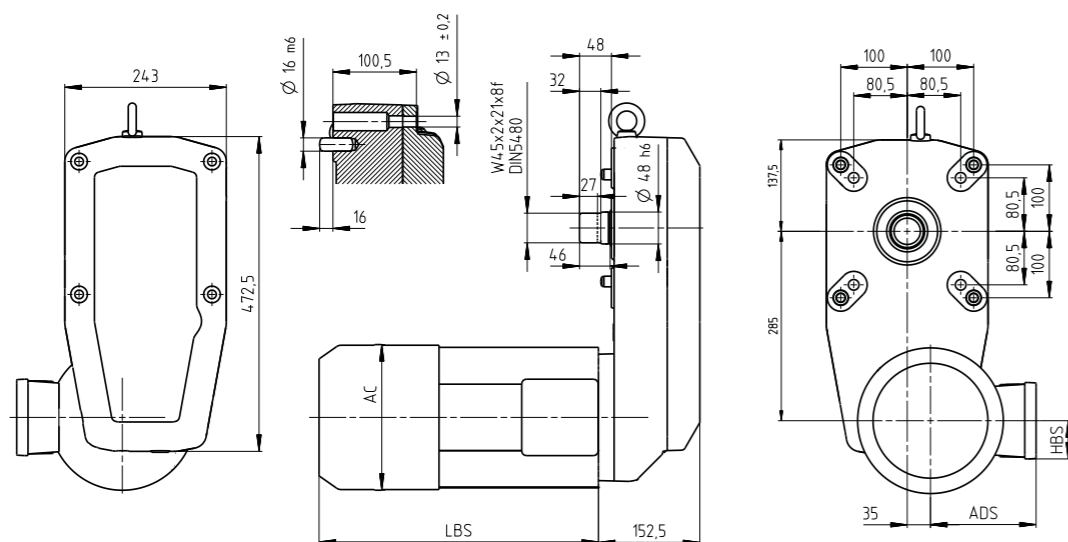
Pos.	Load [t]	ISO	FEM	v [m/min]	P [kW]	f [Hz]	Ratio [-]	Torque [Nm]	Type
1	3.2	M5	2m	0.7 - 4.0 (0.8 - 4.8)	2.5 (3.0)	100 (120)	78.6	28	ZFB40/GH3201/4D100La-4 UL TT
	2.5	M6	3m						
	2	M7	4m						

Output up to 4.0 (4.8) kW

Pos.	Load [t]	ISO	FEM	v [m/min]	P [kW]	f [Hz]	Ratio [-]	Torque [Nm]	Type
1	3.2	M5	2m	0.8 - 5.0 (1.0 - 6.0)	3.2 (3.8)	100 (120)	62.6	28	ZFB40/GH3201/4D100Lb-4 UL TT
	2.5	M6	3m						
	2	M7	4m						
2	3.2	M5	2m	1.0 - 6.3 (1.2 - 7.6)	4.0 (4.8)	100 (120)	49.5	40	ZFB40/GH3201/4D100Lb-4 UL TT
	2.5	M6	3m						
	2	M7	4m						
3	3.2	M5	2m	1.3 - 8.0 (1.6 - 9.6)	4.0 (4.8)	100 (120)	39.4	40	ZFB40/GH3201/4D100Lb-4 UL TT
	2.5	M6	3m						
	2	M7	4m						

Hoist Drive Unit GHX 63 - Two Speed

Dimensional Print



Technical Data

Lifting Capacity	Up to 6.8 t
Lifting Speed	4 / 5 / 6.3 / 8 / 10 / 12 at 4/1 reeving
Drum Diameter	170 mm / 215 mm / 270 mm
Motor Output	0.8 / 4.9 - 1.1 / 7.6 kW (12/2-pole)
Output Shaft	DIN 5480 - W45x2x21x8f
Protection Class	Motor IP65, brake IP54 (optional IP65)
Standard	PTC and thermal sensors Tropical and corrosion protection CE and UL/CSA approbation
Options	CSA approbation Other FEM classes and reevings upon request

Motor Related Dimensions [mm] & Weights [kg]

Motor Type	AC	LBS	ADS	HBS	Weight Drive Unit
ZFB60/GHX63/4D112MB4SX-12/2	220	371	160	58	74
ZFB60/GHX63/4D112MC4SX-12/2	220	421	160	58	78
ZFB74/GHX63/4D112M4SX-12/2	220	421	160	58	83

Hoist Drive Unit GHX 63 - Two Speed

Drum Diameter 170 mm | Reeving 4/1

Output up to 4.9 (6.0) kW

Pos.	Load [t]	ISO	FEM	v [m/min]	P [kW]	f [Hz]	Ratio [-]	Torque [Nm]	Type
1	6.8	M5	2m	0.4 / 2.5 (0.5 / 3.1)	0.8 / 4.9 (1.0 / 6.0)	50 (60)	146.7	45	ZFB60/GHX63/4D112MB4SX-12/2
2	6.8	M5	2m	0.5 / 3.3 (0.6 / 3.9)	0.8 / 4.9 (1.0 / 6.0)	50 (60)	114.5	45	ZFB60/GHX63/4D112MB4SX-12/2
3	6.8	M5	2m	0.6 / 4.0 (0.7 / 4.8)	0.8 / 4.9 (1.0 / 6.0)	50 (60)	93.8	45	ZFB60/GHX63/4D112MB4SX-12/2
4	5.0	M5	2m	0.8 / 4.9 (0.9 / 5.9)	0.8 / 4.9 (1.0 / 6.0)	50 (60)	75.4	45	ZFB60/GHX63/4D112MB4SX-12/2
5	4.0	M5	2m	0.9 / 6.1 (1.1 / 7.3)	0.8 / 4.9 (1.0 / 6.0)	50 (60)	61.0	45	ZFB60/GHX63/4D112MB4SX-12/2
6	3.2	M5	2m	1.2 / 7.7 (1.4 / 9.2)	0.8 / 4.9 (1.0 / 6.0)	50 (60)	48.7	45	ZFB60/GHX63/4D112MB4SX-12/2

Output up to 6.0 (7.2) kW

Pos.	Load [t]	ISO	FEM	v [m/min]	P [kW]	f [Hz]	Ratio [-]	Torque [Nm]	Type
1	6.8	M5	2m	0.6 / 4.0 (0.7 / 4.9)	0.9 / 6.0 (1.1 / 7.2)	50 (60)	93.8	60	ZFB60/GHX63/4D112MC4SX-12/2
2	6.3	M5	2m	0.7 / 5.1 (0.9 / 6.1)	0.9 / 6.0 (1.1 / 7.2)	50 (60)	75.4	60	ZFB60/GHX63/4D112MC4SX-12/2
3	5.0	M5	2m	0.9 / 6.3 (1.1 / 7.5)	0.9 / 6.0 (1.1 / 7.2)	50 (60)	61.0	60	ZFB60/GHX63/4D112MC4SX-12/2
4	4.0	M5	2m	1.1 / 7.8 (1.3 / 9.40)	0.9 / 6.0 (1.1 / 7.2)	50 (60)	48.7	60	ZFB60/GHX63/4D112MC4SX-12/2

Output up to 7.6 (9.1) kW

Pos.	Load [t]	ISO	FEM	v [m/min]	P [kW]	f [Hz]	Ratio [-]	Torque [Nm]	Type
1	6.8	M5	2m	0.7 / 4.9 (0.9 / 5.9)	1.1 / 7.6 (1.3 / 9.1)	50 (60)	75.4	70	ZFB74/GHX63/4D112M4SX-12/2
2	6.3	M5	2m	0.9 / 6.1 (1.1 / 7.3)	1.1 / 7.6 (1.3 / 9.1)	50 (60)	61.0	70	ZFB74/GHX63/4D112M4SX-12/2
3	5.0	M5	2m	1.1 / 7.6 (1.3 / 9.2)	1.1 / 7.6 (1.3 / 9.1)	50 (60)	48.7	70	ZFB74/GHX63/4D112M4SX-12/2

Hoist Drive Unit GHX 63 - Two Speed

Drum Diameter 215 mm | Reeving 4/1

Output up to 4.9 (6.0) kW

Pos.	Load [t]	ISO	FEM	v [m/min]	P [kW]	f [Hz]	Ratio [-]	Torque [Nm]	Type
1	6.3	M5	2m	0.5 / 3.2 (0.6 / 3.9)	0.8 / 4.9 (1.0 / 6.0)	50 (60)	146.7	45	ZFB60/GHX63/4D112MB4SX-12/2
2	6.3	M5	2m	0.6 / 4.1 (0.8 / 4.9)	0.8 / 4.9 (1.0 / 6.0)	50 (60)	114.5	45	ZFB60/GHX63/4D112MB4SX-12/2
3	5.0	M5	2m	0.8 / 5.0 (0.9 / 6.0)	0.8 / 4.9 (1.0 / 6.0)	50 (60)	93.8	45	ZFB60/GHX63/4D112MB4SX-12/2
4	4.0	M5	2m	1.0 / 6.3 (1.2 / 7.5)	0.8 / 4.9 (1.0 / 6.0)	50 (60)	75.4	45	ZFB60/GHX63/4D112MB4SX-12/2
5	3.2	M5	2m	1.2 / 7.7 (1.4 / 9.3)	0.8 / 4.9 (1.0 / 6.0)	50 (60)	61.0	45	ZFB60/GHX63/4D112MB4SX-12/2
6	2.5	M5	2m	1.5 / 9.7 (1.8 / 11.6)	0.8 / 4.9 (1.0 / 6.0)	50 (60)	48.7	45	ZFB60/GHX63/4D112MB4SX-12/2

Output up to 6.0 (7.2) kW

Pos.	Load [t]	ISO	FEM	v [m/min]	P [kW]	f [Hz]	Ratio [-]	Torque [Nm]	Type
1	6.3	M5	2m	0.7 / 5.2 (0.9 / 6.2)	0.9 / 6.0 (1.1 / 7.2)	50 (60)	93.8	60	ZFB60/GHX63/4D112MC4SX-12/2
2	5.0	M5	2m	0.9 / 6.4 (1.1 / 7.7)	0.9 / 6.0 (1.1 / 7.2)	50 (60)	75.4	60	ZFB60/GHX63/4D112MC4SX-12/2
3	4.0	M5	2m	1.1 / 7.9 (1.4 / 9.5)	0.9 / 6.0 (1.1 / 7.2)	50 (60)	61.0	60	ZFB60/GHX63/4D112MC4SX-12/2
4	3.2	M5	2m	1.4 / 9.9 (1.7 / 11.9)	0.9 / 6.0 (1.1 / 7.2)	50 (60)	48.7	60	ZFB60/GHX63/4D112MC4SX-12/2

Output up to 7.6 (9.1) kW

Pos.	Load [t]	ISO	FEM	v [m/min]	P [kW]	f [Hz]	Ratio [-]	Torque [Nm]	Type
1	6.3	M5	2m	0.9 / 6.2 (1.1 / 7.5)	1.1 / 7.6 (1.3 / 9.1)	50 (60)	75.4	70	ZFB74/GHX63/4D112M4SX-12/2
2	5.0	M5	2m	1.1 / 7.7 (1.3 / 9.1)	1.1 / 7.6 (1.3 / 9.1)	50 (60)	61.0	70	ZFB74/GHX63/4D112M4SX-12/2
3	4.0	M5	2m	1.4 / 9.6 (1.7 / 11.6)	1.1 / 7.6 (1.3 / 9.1)	50 (60)	48.7	70	ZFB74/GHX63/4D112M4SX-12/2

Hoist Drive Unit GHX 63 - Two Speed

Drum Diameter 270 mm | Reeving 4/1

Output up to 4.9 (6.0) kW

Pos.	Load [t]	ISO	FEM	v [m/min]	P [kW]	f [Hz]	Ratio [-]	Torque [Nm]	Type
1	5.0	M5	2m	0.6 / 4.0 (0.8 / 4.8)	0.8 / 4.9 (1.0 / 6.0)	50 (60)	146.7	45	ZFB60/GHX63/4D112MB4SX-12/2
2	5.0	M5	2m	0.8 / 5.2 (1.0 / 6.2)	0.8 / 4.9 (1.0 / 6.0)	50 (60)	114.5	45	ZFB60/GHX63/4D112MB4SX-12/2
3	4.0	M5	2m	1.0 / 6.3 (1.2 / 7.6)	0.8 / 4.9 (1.0 / 6.0)	50 (60)	93.8	45	ZFB60/GHX63/4D112MB4SX-12/2
4	3.2	M5	2m	1.2 / 7.9 (1.5 / 9.4)	0.8 / 4.9 (1.0 / 6.0)	50 (60)	75.4	45	ZFB60/GHX63/4D112MB4SX-12/2
5	2.5	M5	2m	1.5 / 9.7 (1.8 / 11.7)	0.8 / 4.9 (1.0 / 6.0)	50 (60)	61.0	45	ZFB60/GHX63/4D112MB4SX-12/2
6	2.0	M5	2m	1.9 / 12.2 (2.3 / 14.6)	0.8 / 4.9 (1.0 / 6.0)	50 (60)	48.7	45	ZFB60/GHX63/4D112MB4SX-12/2

Output up to 6.0 (7.2) kW

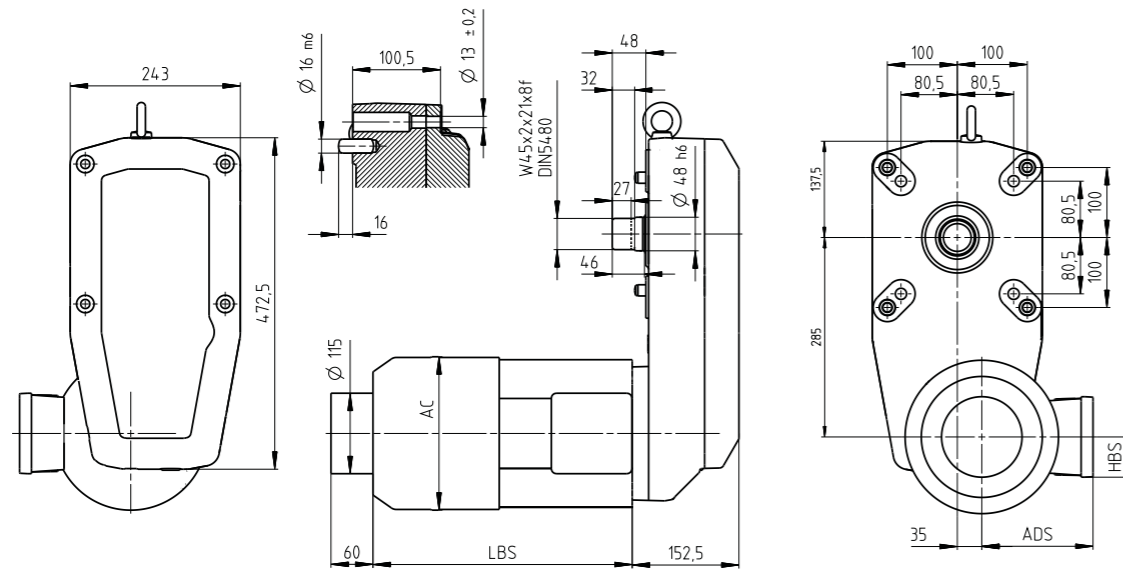
Pos.	Load [t]	ISO	FEM	v [m/min]	P [kW]	f [Hz]	Ratio [-]	Torque [Nm]	Type
1	5.0	M5	2m	0.9 / 6.5 (1.1 / 7.8)	0.9 / 6.0 (1.1 / 7.2)	50 (60)	93.8	60	ZFB60/GHX63/4D112MC4SX-12/2
2	4.0	M5	2m	1.2 / 8.0 (1.4 / 9.7)	0.9 / 6.0 (1.1 / 7.2)	50 (60)	75.4	60	ZFB60/GHX63/4D112MC4SX-12/2
3	3.2	M5	2m	1.4 / 10.0 (1.7 / 11.9)	0.9 / 6.0 (1.1 / 7.2)	50 (60)	61.0	60	ZFB60/GHX63/4D112MC4SX-12/2
4	2.5	M5	2m	1.8 / 12.5 (2.1 / 14.9)	0.9 / 6.0 (1.1 / 7.2)	50 (60)	48.7	60	ZFB60/GHX63/4D112MC4SX-12/2

Output up to 7.6 (9.1) kW

Pos.	Load [t]	ISO	FEM	v [m/min]	P [kW]	f [Hz]	Ratio [-]	Torque [Nm]	Type
1	5.0	M5	2m	1.1 / 7.8 (1.4 / 9.4)	1.1 / 7.6 (1.3 / 9.1)	50 (60)	75.7	70	ZFB74/GHX63/4D112M4SX-12/2
2	4.0	M5	2m	1.4 / 9.7 (1.7 / 11.6)	1.1 / 7.6 (1.3 / 9.1)	50 (60)	61.0	70	ZFB74/GHX63/4D112M4SX-12/2
3	3.2	M5	2m	1.7 / 12.1 (2.1 / 14.5)	1.1 / 7.6 (1.3 / 9.1)	50 (60)	48.7	70	ZFB74/GHX63/4D112M4SX-12/2

Hoist Drive Unit GHX 63 - Inverter Operation

Dimensional Print



Technical Data

Lifting Capacity	Up to 6.8 t
Lifting Speed	3.5 / 4 / 5 / 6.3 / 8 / 10 / 12 at 4/1 reeving High lifting speeds without load up to 200 Hz
Drum Diameter	170 mm / 215 mm / 270 mm
Motor Output	4.9 - 7.9 kW (4-pole @ 100 Hz)
Output Shaft	DIN 5480 - W45x2x21x8f
Protection Class	Motor IP65, brake IP54 (optional IP65)
Standard	PTC and thermal sensors Tropical and corrosion protection CE and UL/CSA approbation
Options	Encoder, Auxiliary fan, CSA approbation, Other FEM classes and reevings upon request

Motor Related Dimensions [mm] & Weights [kg]

Motor Type	AC	LBS	ADS	HBS	Weight Drive Unit
ZFB60/GHX63/4D112MB-4	220	371	160	58	74
ZFB74/GHX63/4D112MB-4	220	371	160	58	77

Hoist Drive Unit GHX 63 - Inverter Operation

Drum Diameter 170 mm | Reeving 4/1

Output up to 4.9 (5.9) kW

Pos.	Load [t]	ISO	FEM	v [m/min]	P [kW]	f [Hz]	Ratio [-]	Torque [Nm]	Type
1	6.8	M5	2m	0.4 - 2.5 (0.5 - 3.0)	4.9 (5.9)	100 (120)	146.7	45	ZFB60/GHX63/4D112MB-4
2	6.8	M5	2m	0.5 - 3.4 (0.6 - 4.0)	4.9 (5.9)	100 (120)	114.5	45	ZFB60/GHX63/4D112MB-4
3	6.8	M5	2m	0.7 - 4.0 (0.8 - 5.0)	4.9 (5.9)	100 (120)	93.8	45	ZFB60/GHX63/4D112MB-4
4	5.0	M5	2m	0.8 - 5.0 (1.0 - 6.0)	4.9 (5.9)	100 (120)	75.4	45	ZFB60/GHX63/4D112MB-4
5	4.0	M5	2m	1.0 - 6.3 (1.2 - 8.0)	4.9 (5.9)	100 (120)	61.0	45	ZFB60/GHX63/4D112MB-4
6	3.2	M5	2m	1.3 - 8.0 (1.6 - 10.0)	4.9 (5.9)	100 (120)	48.7	45	ZFB60/GHX63/4D112MB-4

Output up to 6.1 (7.3) kW

Pos.	Load [t]	ISO	FEM	v [m/min]	P [kW]	f [Hz]	Ratio [-]	Torque [Nm]	Type
1	6.8	M5	2m	0.7 - 4.0 (0.8 - 5.0)	6.1 (7.2)	100 (120)	93.8	60	ZFB60/GHX63/4D112MB-4
2	6.3	M5	2m	0.8 - 5.0 (1.0 - 6.0)	6.1 (7.2)	100 (120)	75.4	60	ZFB60/GHX63/4D112MB-4
3	5.0	M5	2m	1.0 - 6.3 (1.2 - 8.0)	6.1 (7.2)	100 (120)	61.0	60	ZFB60/GHX63/4D112MB-4
4	4.0	M5	2m	1.3 - 8.0 (1.6 - 10.0)	6.1 (7.2)	100 (120)	48.7	60	ZFB60/GHX63/4D112MB-4

Output up to 7.9 (9.5) kW

Pos.	Load [t]	ISO	FEM	v [m/min]	P [kW]	f [Hz]	Ratio [-]	Torque [Nm]	Type
1	6.8	M5	2m	0.8 - 5.0 (1.0 - 6.0)	7.9 (9.5)	100 (120)	75.4	70	ZFB74/GHX63/4D112MB-4
2	6.3	M5	2m	1.0 - 6.3 (1.2 - 8.0)	7.9 (9.5)	100 (120)	61.0	70	ZFB74/GHX63/4D112MB-4
3	5.0	M5	2m	1.3 - 8.0 (1.6 - 10.0)	7.9 (9.5)	100 (120)	48.7	70	ZFB74/GHX63/4D112MB-4

Hoist Drive Unit GHX 63 - Inverter Operation

Drum Diameter 215 mm | Reeving 4/1

Output up to 4.9 (5.9) kW

Pos.	Load [t]	ISO	FEM	v [m/min]	P [kW]	f [Hz]	Ratio [-]	Torque [Nm]	Type
1	6.3	M5	2m	0.5 - 3.4 (0.6 - 4.0)	4.9 (5.9)	100 (120)	146.7	45	ZFB60/GHX63/4D112MB-4
2	6.3	M5	2m	0.7 - 4.0 (0.8 - 5.0)	4.9 (5.9)	100 (120)	114.5	45	ZFB60/GHX63/4D112MB-4
3	5.0	M5	2m	0.8 - 5.0 (1.0 - 6.0)	4.9 (5.9)	100 (120)	93.8	45	ZFB60/GHX63/4D112MB-4
4	4.0	M5	2m	1.0 - 6.3 (1.2 - 8.0)	4.9 (5.9)	100 (120)	75.4	45	ZFB60/GHX63/4D112MB-4
5	3.2	M5	2m	1.3 - 8.0 (1.6 - 10.0)	4.9 (5.9)	100 (120)	61.0	45	ZFB60/GHX63/4D112MB-4
6	2.5	M5	2m	1.5 - 10.0 (1.8 - 12.0)	4.9 (5.9)	100 (120)	48.7	45	ZFB60/GHX63/4D112MB-4

Output up to 6.1 (7.3) kW

Pos.	Load [t]	ISO	FEM	v [m/min]	P [kW]	f [Hz]	Ratio [-]	Torque [Nm]	Type
1	6.3	M5	2m	0.8 - 5.0 (1.0 - 6.0)	6.1 (7.3)	100 (120)	93.8	60	ZFB60/GHX63/4D112MB-4
2	5.0	M5	2m	1.0 - 6.3 (1.2 - 8.0)	6.1 (7.3)	100 (120)	75.4	60	ZFB60/GHX63/4D112MB-4
3	4.0	M5	2m	1.3 - 8.0 (1.6 - 10.0)	6.1 (7.3)	100 (120)	61.0	60	ZFB60/GHX63/4D112MB-4
4	3.2	M5	2m	1.5 - 10.0 (1.8 - 12.0)	6.1 (7.3)	100 (120)	48.7	60	ZFB60/GHX63/4D112MB-4

Output up to 7.9 (9.5) kW

Pos.	Load [t]	ISO	FEM	v [m/min]	P [kW]	f [Hz]	Ratio [-]	Torque [Nm]	Type
1	6.3	M5	2m	1.0 - 6.3 (1.2 - 8.0)	7.9 (9.5)	100 (120)	75.4	70	ZFB74/GHX63/4D112MB-4
2	5.0	M5	2m	1.3 - 8.0 (1.6 - 10.0)	7.9 (9.5)	100 (120)	61.0	70	ZFB74/GHX63/4D112MB-4
3	4.0	M5	2m	1.5 - 10.0 (1.8 - 12.0)	7.9 (9.5)	100 (120)	48.7	70	ZFB74/GHX63/4D112MB-4

Hoist Drive Unit GHX 63 - Inverter Operation

Drum Diameter 270 mm | Reeving 4/1

Output up to 4.9 (5.9) kW

Pos.	Load [t]	ISO	FEM	v [m/min]	P [kW]	f [Hz]	Ratio [-]	Torque [Nm]	Type
1	5.0	M5	2m	0.7 - 4.0 (0.8 - 5.0)	4.9 (5.9)	100 (120)	146.7	45	ZFB60/GHX63/4D112MB-4
2	5.0	M5	2m	0.8 - 5.0 (1.0 - 6.0)	4.9 (5.9)	100 (120)	114.5	45	ZFB60/GHX63/4D112MB-4
3	4.0	M5	2m	1.0 - 6.3 (1.2 - 8.0)	4.9 (5.9)	100 (120)	93.8	45	ZFB60/GHX63/4D112MB-4
4	3.2	M5	2m	1.3 - 8.0 (1.6 - 10.0)	4.9 (5.9)	100 (120)	75.4	45	ZFB60/GHX63/4D112MB-4
5	2.5	M5	2m	1.5 - 10.0 (1.8 - 12.5)	4.9 (5.9)	100 (120)	61.0	45	ZFB60/GHX63/4D112MB-4
6	2.0	M5	2m	2.0 - 12.5 (2.5 - 15.0)	4.9 (5.9)	100 (120)	48.7	45	ZFB60/GHX63/4D112MB-4

Output up to 6.1 (7.3) kW

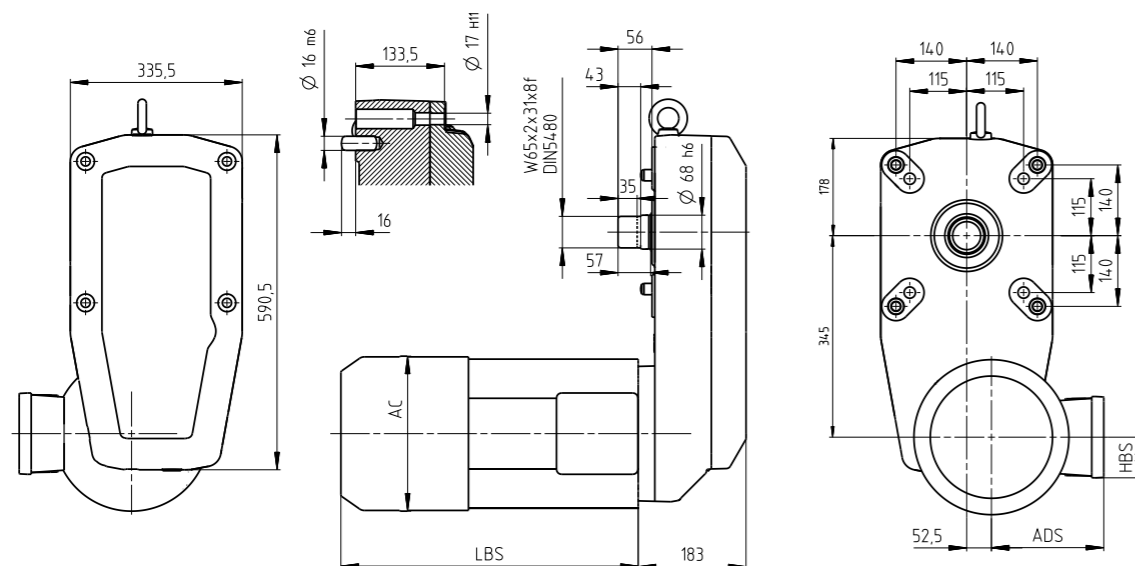
Pos.	Load [t]	ISO	FEM	v [m/min]	P [kW]	f [Hz]	Ratio [-]	Torque [Nm]	Type
1	5.0	M5	2m	1.0 - 6.3 (1.2 - 8.0)	6.1 (7.3)	100 (120)	93.8	60	ZFB60/GHX63/4D112MB-4
2	4.0	M5	2m	1.3 - 8.0 (1.6 - 10.0)	6.1 (7.3)	100 (120)	75.4	60	ZFB60/GHX63/4D112MB-4
3	3.2	M5	2m	1.5 - 10.0 (1.8 - 12.0)	6.1 (7.3)	100 (120)	61.0	60	ZFB60/GHX63/4D112MB-4
4	2.5	M5	2m	2.0 - 12.5 (2.5 - 15.0)	6.1 (7.3)	100 (120)	48.7	60	ZFB60/GHX63/4D112MB-4

Output up to 7.9 (9.5) kW

Pos.	Load [t]	ISO	FEM	v [m/min]	P [kW]	f [Hz]	Ratio [-]	Torque [Nm]	Type
1	5.0	M5	2m	1.3 - 8.0 (1.6 - 10.0)	7.9 (9.5)	100 (120)	75.4	70	ZFB74/GHX63/4D112MB-4
2	4.0	M5	2m	1.5 - 10.0 (1.8 - 12.0)	7.9 (9.5)	100 (120)	61.0	70	ZFB74/GHX63/4D112MB-4
3	3.2	M5	2m	2.0 - 12.5 (2.5 - 15.0)	7.9 (9.5)	100 (120)	48.7	70	ZFB74/GHX63/4D112MB-4

Hoist Drive Unit GHX 125 - Two Speed

Dimensional Print



Technical Data

Lifting Capacity	Up to 12.5 t
Lifting Speed	4 / 5 / 6.3 / 8 at 4/1 reeving
Drum Diameter	270 mm / 325 mm
Motor Output	1.2 / 7.6 - 2.0 / 12.5 kW (12/2-pole)
Output Shaft	DIN 5480 - W65x2x31x8f
Protection Class	Motor IP65, brake IP54 (optional IP65)
Standard	PTC and thermal sensors Tropical and corrosion protection CE and UL/CSA approbation
Options	CSA approbation Other FEM classes and reeving upon request

Motor Related Dimensions [mm] & Weights [kg]

Motor Type	AC	LBS	ADS	HBS	Weight Drive Unit
ZFB100/GHX125/4D135Max-12/2 UL TT	275	475	193	83.5	138
ZFB100/GHX125/4D135Mdx-12/2 UL TT	275	475	193	83.5	163

Hoist Drive Unit GHX 125 - Two Speed

Drum Diameter 270 mm | Reeving 4/1

Output up to 7.6 (9.1) kW

Pos.	Load [t]	ISO	FEM	v [m/min]	P [kW]	f [Hz]	Ratio [-]	Torque [Nm]	Type
1	10	M5	2m	0.6 / 4.0 (0.8 / 4.8)	1.2 / 7.6 (1.4 / 9.1)	50 (60)	152.9	70	ZFB100/GHX125/4D135Max-12/2 UL TT
	8	M6	3m						
	6.3	M7	4m						

Output up to 9.5 (11.4) kW

Pos.	Load [t]	ISO	FEM	v [m/min]	P [kW]	f [Hz]	Ratio [-]	Torque [Nm]	Type
1	12.5	M5	2m	0.7 / 4.0 (0.8 / 4.8)	1.5 / 9.5 (1.8 / 11.5)	50 (60)	147.9	100	ZFB100/GHX125/4D135Mdx-12/2 UL TT
	10	M6	3m						
	8	M7	4m						
2	10	M5	2m	0.8 / 5.0 (1.0 / 6.0)	1.5 / 9.5 (1.8 / 11.5)	50 (60)	119.8	100	ZFB100/GHX125/4D135Mdx-12/2 UL TT
	8	M6	3m						
	6.3	M7	4m						
3	8	M5	2m	1.0 / 6.3 (1.2 / 7.6)	1.5 / 9.5 (1.8 / 11.5)	50 (60)	95.1	100	ZFB100/GHX125/4D135Mdx-12/2 UL TT
	6.3	M6	3m						
	5	M7	4m						

Output up to 12.5 (15.0) kW

Pos.	Load [t]	ISO	FEM	v [m/min]	P [kW]	f [Hz]	Ratio [-]	Torque [Nm]	Type
1	12.5	M5	2m	0.8 / 5.0 (1.0 / 6.0)	1.9 / 12.5 (2.4 / 15.0)	50 (60)	119.8	100	ZFB100/GHX125/4D135Mdx-12/2 UL TT
	10	M6	3m						
	8	M7	4m						
2	10	M5	2m	1.0 / 6.3 (1.2 / 7.6)	1.9 / 12.5 (2.4 / 15.0)	50 (60)	95.1	100	ZFB100/GHX125/4D135Mdx-12/2 UL TT
	8	M6	3m						
	6.3	M7	4m						
3	8	M5	2m	1.3 / 8.0 (1.6 / 9.6)	1.9 / 12.5 (2.4 / 15.0)	50 (60)	75.4	100	ZFB100/GHX125/4D135Mdx-12/2 UL TT
	6.3	M6	3m						
	5	M7	4m						

Hoist Drive Unit GHX 125 - Two Speed

Drum Diameter 325 mm | Reeving 4/1

Output up to 7.6 (9.1) kW

Pos.	Load [t]	ISO	FEM	v [m/min]	P [kW]	f [Hz]	Ratio [-]	Torque [Nm]	Type
1	8	M5	2m	0.8 / 5.0 1.0 / 6.0	1.2 / 7.6 1.4 / 9.1	50 (60)	147.9	70	ZFB100/GHX125/4D135Max-12/2 UL TT
	6.3	M6	3m						
	5	M7	4m						

Output up to 9.5 (11.4) kW

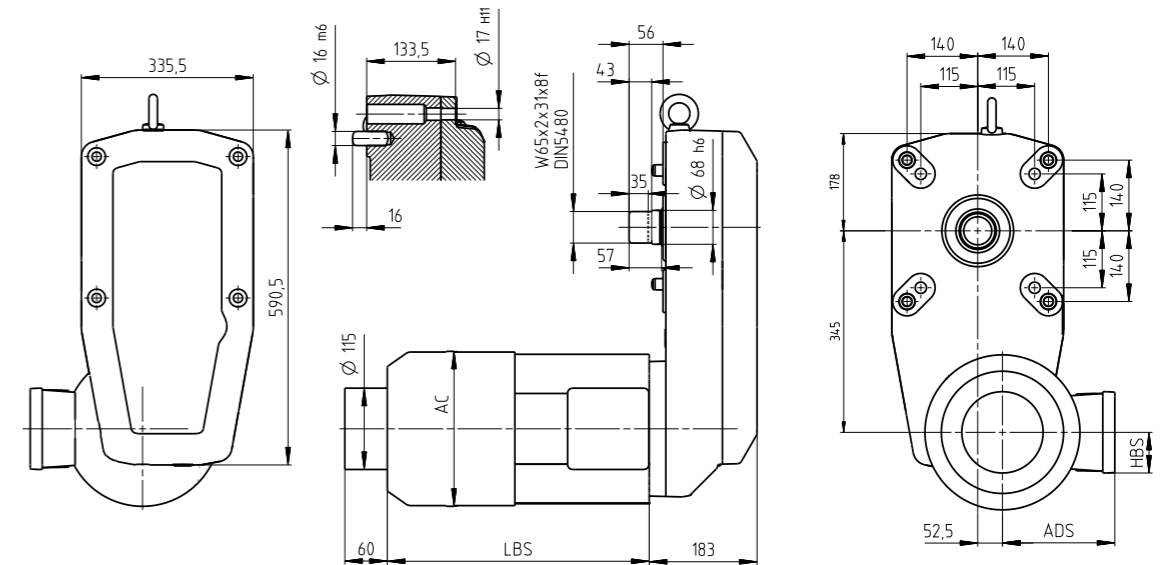
Pos.	Load [t]	ISO	FEM	v [m/min]	P [kW]	f [Hz]	Ratio [-]	Torque [Nm]	Type
1	10	M5	2m	0.8 / 5.0 (1.0 / 6.0)	1.5 / 9.5 (1.8 / 11.5)	50 (60)	147.9	100	ZFB100/GHX125/4D135Mdx-12/2 UL TT
	8	M6	3m						
	6.3	M7	4m						
2	8	M5	2m	1.0 / 6.3 (1.2 / 7.6)	1.5 / 9.5 (1.8 / 11.5)	50 (60)	119.8	100	ZFB100/GHX125/4D135Mdx-12/2 UL TT
	6.3	M6	3m						
	5	M7	4m						
3	6.3	M5	2m	1.3 / 8.0 (1.6 / 9.6)	1.5 / 9.5 (1.8 / 11.5)	50 (60)	95.1	100	ZFB100/GHX125/4D135Mdx-12/2 UL TT
	5	M6	3m						
	4	M7	4m						

Output up to 12.5 (15.0) kW

Pos.	Load [t]	ISO	FEM	v [m/min]	P [kW]	f [Hz]	Ratio [-]	Torque [Nm]	Type
1	10	M5	2m	1.0 / 6.3 (1.2 / 7.6)	1.9 / 12.5 (2.4 / 15.0)	50 (60)	119.8	100	ZFB100/GHX125/4D135Mdx-12/2 UL TT
	8	M6	3m						
	6.3	M7	4m						
2	8	M5	2m	1.3 / 8.0 (1.6 / 9.6)	1.9 / 12.5 (2.4 / 15.0)	50 (60)	95.1	100	ZFB100/GHX125/4D135Mdx-12/2 UL TT
	6.3	M6	3m						
	5	M7	4m						
3	6.3	M5	2m	1.5 / 10.0 (1.8 / 12.0)	1.9 / 12.5 (2.4 / 15.0)	50 (60)	75.4	100	ZFB100/GHX125/4D135Mdx-12/2 UL TT
	5	M6	3m						
	4	M7	4m						

Hoist Drive Unit GHX 125 - Inverter Operation

Dimensional Print



Technical Data

Lifting Capacity	Up to 12.5 t
Lifting Speed	4 / 5 / 6.3 / 8 at 4/1 reeving
Drum Diameter	270 mm / 325 mm
Motor Output	7.6 - 12.5 kW (4-pole @ 100 Hz)
Output Shaft	DIN 5480 - W65x2x31x8f
Protection Class	Motor IP65, brake IP54 (optional IP65)
Standard	PTC and thermal sensors Tropical and corrosion protection CE and UL/CSA approbation
Options	Encoder, Auxiliary fan, CSA approbation, Other FEM classes and reevings upon request

Motor Related Dimensions [mm] & Weights [kg]

Motor Type	AC	LBS	ADS	HBS	Weight Drive Unit
ZFB100/GHX125/4D132Mb-4 UL TT	270	475	190.5	83.5	142

Hoist Drive Unit GHX 125 - Inverter Operation

Drum Diameter 270 mm | Reeving 4/1

Output up to 7.6 (9.1) kW

Pos.	Load [t]	ISO	FEM	v [m/min]	P [kW]	f [Hz]	Ratio [-]	Torque [Nm]	Type
1	10	M5	2m	4.0 (4.8)	7.6 (9.2)	100 (120)	147.9	70	ZFB100/GHX125/4D132Mb-4 UL TT
	8	M6	3m						
	6.3	M7	4m						

Output up to 9.5 (11.4) kW

Pos.	Load [t]	ISO	FEM	v [m/min]	P [kW]	f [Hz]	Ratio [-]	Torque [Nm]	Type
1	12.5	M5	2m	4.0 (4.8)	9.5 (11.4)	100 (120)	147.9	100	ZFB100/GHX125/4D132Mb-4 UL TT
	10	M6	3m						
	8	M7	4m						
2	10	M5	2m	5.0 (6.0)	9.5 (11.4)	100 (120)	119.8	100	ZFB100/GHX125/4D132Mb-4 UL TT
	8	M6	3m						
	6.3	M7	4m						
3	8	M5	2m	6.3 (7.6)	9.5 (11.4)	100 (120)	95.1	100	ZFB100/GHX125/4D132Mb-4 UL TT
	6.3	M6	3m						
	5	M7	4m						

Output up to 12.5 (15.0) kW

Pos.	Load [t]	ISO	FEM	v [m/min]	P [kW]	f [Hz]	Ratio [-]	Torque [Nm]	Type
1	12.5	M5	2m	5.0 (6.0)	12.5 (15.0)	100 (120)	119.8	100	ZFB100/GHX125/4D132Mb-4 UL TT
	10	M6	3m						
	8	M7	4m						
2	10	M5	2m	6.3 (7.6)	12.5 (15.0)	100 (120)	95.1	100	ZFB100/GHX125/4D132Mb-4 UL TT
	8	M6	3m						
	6.3	M7	4m						
3	8	M5	2m	8.0 (10.0)	12.5 (15.0)	100 (120)	75.4	100	ZFB100/GHX125/4D132Mb-4 UL TT
	6.3	M6	3m						
	5	M7	4m						

Hoist Drive Unit GHX 125 - Inverter Operation

Drum Diameter 325 mm | Reeving 4/1

Output up to 7.6 (9.1) kW

Pos.	Load [t]	ISO	FEM	v [m/min]	P [kW]	f [Hz]	Ratio [-]	Torque [Nm]	Type
1	8	M5	2m	5.0 (6.0)	7.6 (9.2)	100 (120)	147.9	70	ZFB100/GHX125/4D132Mb-4 UL TT
	6.3	M6	3m						
	5	M7	4m						

Output up to 9.5 (11.4) kW

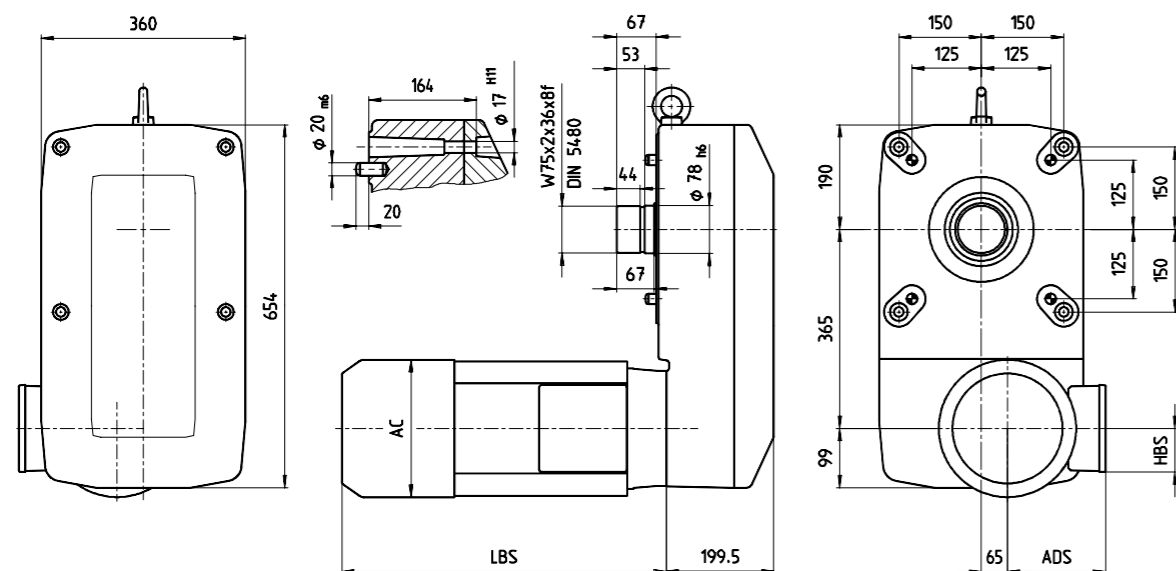
Pos.	Load [t]	ISO	FEM	v [m/min]	P [kW]	f [Hz]	Ratio [-]	Torque [Nm]	Type
1	10	M5	2m	5.0 (6.0)	9.5 (11.4)	100 (120)	147.9	100	ZFB100/GHX125/4D132Mb-4 UL TT
	8	M6	3m						
	6.3	M7	4m						
2	8	M5	2m	6.3 (7.6)	9.5 (11.4)	100 (120)	119.8	100	ZFB100/GHX125/4D132Mb-4 UL TT
	6.3	M6	3m						
	5	M7	4m						
3	6.3	M5	2m	8.0 (10.0)	9.5 (11.4)	100 (120)	95.1	100	ZFB100/GHX125/4D132Mb-4 UL TT
	5	M6	3m						
	4	M7	4m						

Output up to 12.5 (15.0) kW

Pos.	Load [t]	ISO	FEM	v [m/min]	P [kW]	f [Hz]	Ratio [-]	Torque [Nm]	Type
1	10	M5	2m	6.3 (7.6)	12.5 (15.0)	100 (120)	119.8	100	ZFB100/GHX125/4D132Mb-4 UL TT
	8	M6	3m						
	6.3	M7	4m						
2	8	M5	2m	8.0 (10.0)	12.5 (15.0)	100 (120)	95.1	100	ZFB100/GHX125/4D132Mb-4 UL TT
	6.3	M6	3m						
	5	M7	4m						
3	6.3	M5	2m	10.0 (12.0)	12.5 (15.0)	100 (120)	75.4	100	ZFB100/GHX125/4D132Mb-4 UL TT
	5	M6	3m						
	4	M7	4m						

Hoist Drive Unit GHR 200 - Two Speed

Dimensional Print



Technical Data

Lifting Capacity	Up to 20 t
Lifting Speed	4 / 5 / 6.3 / 8 at 4/1 reeving
Drum Diameter	295 mm
Motor Output	2.0 / 12.5 - 2.6 / 16.0 kW (12/2-pole)
Output Shaft	DIN 5480 - W75x2x36x8f
Protection Class	Motor IP65, brake IP54 (optional IP65)
Standard	PTC and thermal sensors Tropical and corrosion protection CE and UL/CSA approbation
Options	CSA approbation Other FEM classes and reeving upon request

Motor Related Dimensions [mm] & Weights [kg]

Motor Type	AC	LBS	ADS	HBS	Weight Drive Unit
ZFB100/GHR200/4D132L4x-12/2 UL TT	270	619	190	84	158
ZFB 155/GHR200/3D160Lb4Rx-12/2 UL TT	313	665	234.5	84	173

Hoist Drive Unit GHR 200 - Two Speed

Drum Diameter 295 mm | Reeving 4/1

Output up to 12.5 (15.0) kW

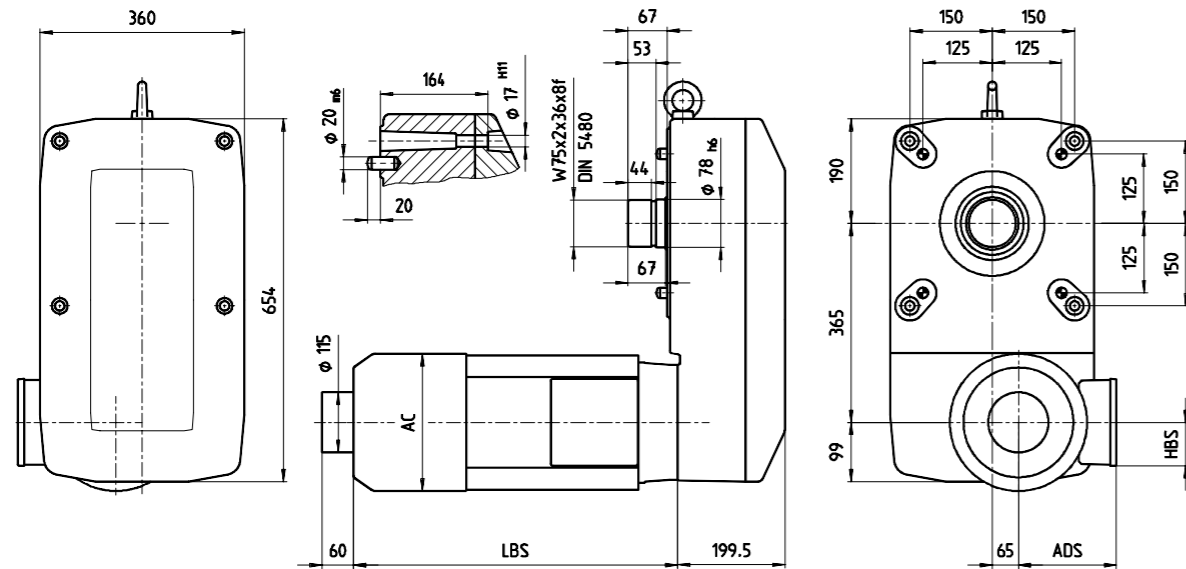
Pos.	Load [t]	ISO	FEM	v [m/min]	P [kW]	f [Hz]	Ratio [-]	Torque [Nm]	Type
1	16	M5	2m	0.7 / 4.0 (0.8 / 4.8)	2.0 / 12.5 (2.4 / 15.0)	50 (60)	169.0	100	ZFB100/GHR200/4D132L4x-12/2 UL TT
	12.5	M6	3m						
	10	M7	4m						
	8	M7	4m						

Output up to 16.0 (19.2) kW

Pos.	Load [t]	ISO	FEM	v [m/min]	P [kW]	f [Hz]	Ratio [-]	Torque [Nm]	Type
1	20	M4	1Am	0.7 / 4.0 (0.8 / 4.8)	2.6 / 16.0 (3.2 / 19.2)	50 (60)	169.0	150	ZFB155/GHR200/3D160Lb4Rx-12/2 UL TT
	16	M5	2m						
	12.5	M6	3m						
	10	M7	4m						
2	16	M4	1Am	0.8 / 5.0 (1.0 / 6.0)	2.6 / 16.0 (3.2 / 19.2)	50 (60)	132.9	150	ZFB155/GHR200/3D160Lb4Rx-12/2 UL TT
	12.5	M5	2m						
	10	M6	3m						
	8	M7	4m						
3	12.5	M4	1Am	1.0 / 6.3 (1.2 / 7.6)	2.6 / 16.0 (3.2 / 19.2)	50 (60)	109.3	150	ZFB155/GHR200/3D160Lb4Rx-12/2 UL TT
	10	M5	2m						
	8	M6	3m						
4	6.3	M7	4m	1.3 / 8.0 (1.6 / 9.6)	2.63 / 16.0 (3.2 / 19.2)	50 (60)	85.1	150	ZFB155/GHR200/3D160Lb4Rx-12/2 UL TT
	10	M4	1Am						
	8	M5	2m						
	6.3	M6	3m						

Hoist Drive Unit GHR 200 - Inverter Operation

Dimensional Print



Technical Data

Lifting Capacity	Up to 20 t
Lifting Speed	4 / 5 / 6.3 / 8 at 4/1 reeving
Drum Diameter	295 mm
Motor Output	12.5 - 16.0 kW (4-pole @ 100 Hz)
Output Shaft	DIN 5480 - W75x2x36x8f
Protection Class	Motor IP65, brake IP54 (optional IP65)
Standard	PTC and thermal sensors Tropical and corrosion protection CE and UL/CSA approbation
Options	Encoder, Auxiliary fan, CSA approbation, Other FEM classes and reeving upon request

Motor Related Dimensions [mm] & Weights [kg]

Motor Type	AC	LBS	ADS	HBS	Weight Drive Unit
ZFB 100/GHR200/4D132Mb-4 UL TT	270	549	190	84	182
ZFB 150/GHR200/4D132Mc-4 UL TT	270	549	190	84	202

Hoist Drive Unit GHR 200 - Inverter Operation

Drum Diameter 295 mm | Reeving 4/1

Output up to 12.5 (15.0) kW

Pos.	Load [t]	ISO	FEM	v [m/min]	P [kW]	f [Hz]	Ratio [-]	Torque [Nm]	Type
1	16	M5	2m	0.7 - 4.0 (0.8 - 4.8)	12.5 (15.0)	100 (120)	169.0	100	ZFB 100/GHR200/4D132Mb-4 UL TT
	12.5	M6	3m						
	10	M7	4m						
	8	M7	4m						

Output up to 16.0 (19.2) kW

Pos.	Load [t]	ISO	FEM	v [m/min]	P [kW]	f [Hz]	Ratio [-]	Torque [Nm]	Type
1	20	M4	1Am	0.7 - 4.0 (0.8 - 4.8)	16.0 (19.2)	100 (120)	169.0	150	ZFB 150/GHR200/4D132Mc-4 UL TT
	16	M5	2m						
	12.5	M6	3m						
	10	M7	4m						
2	16	M4	1Am	0.8 - 5.0 (1.0 - 6.0)	16.0 (19.2)	100 (120)	132.9	150	ZFB 150/GHR200/4D132Mc-4 UL TT
	12.5	M5	2m						
	10	M6	3m						
	8	M7	4m						
3	12.5	M4	1Am	1.0 - 6.3 (1.2 - 7.6)	16.0 (19.2)	100 (120)	109.3	150	ZFB 150/GHR200/4D132Mc-4 UL TT
	10	M5	2m						
	8	M6	3m						
4	10	M4	1Am	1.3 - 8.0 (1.6 - 9.6)	16.0 (19.2)	100 (120)	85.1	150	ZFB 150/GHR200/4D132Mc-4 UL TT
	8	M5	2m						
	6.3	M6	3m						
	5	M7	4m						

Hoist Drive Unit GHX 250 - Two Speed

Drum Diameter 405 mm | Reeving 4/1

Output up to 12.5 (15.0) kW

Pos.	Load [t]	ISO	FEM	v [m/min]	P [kW]	f [Hz]	Ratio [-]	Torque [Nm]	Type
1	12.5	M5	2m	0.8 / 5.0 (1.0 / 6.0)	1.9 / 12.5 (2.4 / 15.0)	50 (60)	185.0	100	ZFB100/GHX250/4D135Mdx-12/2 UL TT
	10	M6	3m						
	8	M7	4m						

Output up to 16.0 (19.2) kW

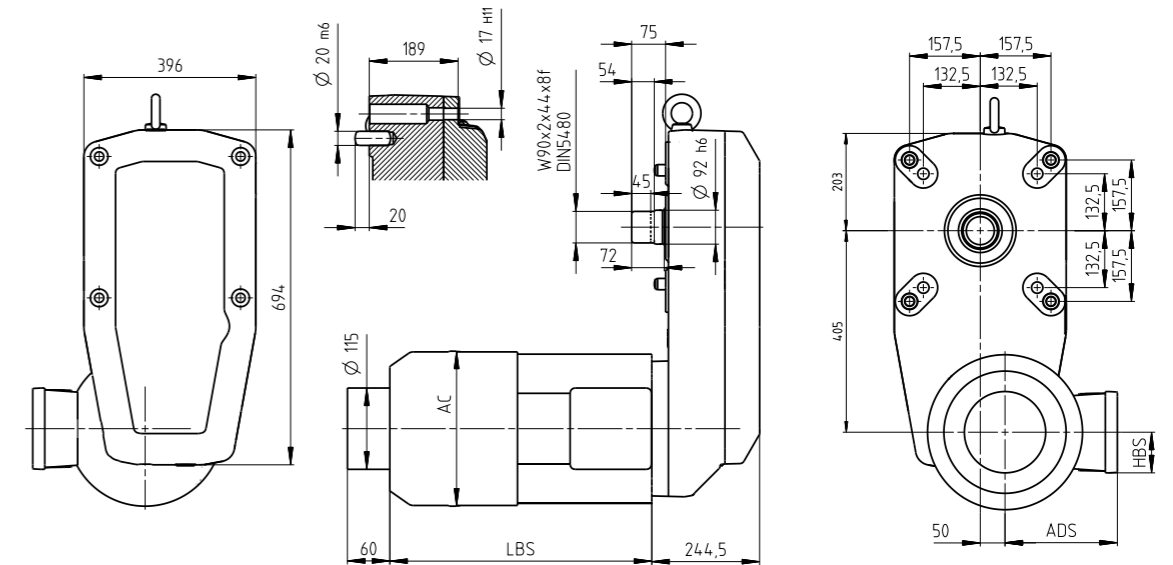
Pos.	Load [t]	ISO	FEM	v [m/min]	P [kW]	f [Hz]	Ratio [-]	Torque [Nm]	Type
1	16	M5	2m	0.8 / 5.0 (1.0 / 6.0)	2.4 / 16.0 (3.2 / 19.2)	50 (60)	185.0	150	ZFB150/GHX250/4D135Ldx-12/2 UL TT
	12.5	M6	3m						
	10	M7	4m						
2	12.5	M5	2m	1.0 / 6.3 (1.2 / 7.6)	2.4 / 16.0 (3.2 / 19.2)	50 (60)	148.7	150	ZFB150/GHX250/4D135Ldx-12/2 UL TT
	10	M6	3m						
	8	M7	4m						
3	10	M5	2m	1.3 / 8.0 (1.6 / 9.6)	2.4 / 16.0 (3.2 / 19.2)	50 (60)	118.7	150	ZFB150/GHX250/4D135Ldx-12/2 UL TT
	8	M6	3m						
	6.3	M7	4m						

Output up to 18.8 (22.6) kW

Pos.	Load [t]	ISO	FEM	v [m/min]	P [kW]	f [Hz]	Ratio [-]	Torque [Nm]	Type
1	20	M5	2m	0.8 / 5.0 (1.0 / 6.0)	2.9 / 18.8 (3.5 / 22.6)	50 (60)	185.0	150	ZFB150/GHX250/4D135Lex-12/2 UL TT
	16	M6	3m						
	12.5	M7	4m						
2	16	M5	2m	1.0 / 6.3 (1.2 / 7.6)	2.9 / 18.8 (3.5 / 22.6)	50 (60)	148.7	150	ZFB150/GHX250/4D135Lex-12/2 UL TT
	12.5	M6	3m						
	10	M7	4m						
3	12.5	M5	2m	1.3 / 8.0 (1.6 / 9.6)	2.9 / 18.8 (3.5 / 22.6)	50 (60)	118.7	150	ZFB150/GHX250/4D135Lex-12/2 UL TT
	10	M6	3m						
	8	M7	4m						

Hoist Drive Unit GHX 250 - Inverter Operation

Dimensional Print



Technical Data

Lifting Capacity	Up to 25 t
Lifting Speed	4 / 5 / 6.3 / 8 at 4/1 reeving
Drum Diameter	325 mm / 405 mm
Motor Output	12.5 - 16.0 kW (4-pole @ 100 Hz)
Output Shaft	DIN 5480 - W90x2x44x8f
Protection Class	Motor IP65, brake IP54 (optional IP65)
Standard	PTC and thermal sensors Tropical and corrosion protection CE and UL/CSA approbation
Options	Encoder, Auxiliary fan, CSA approbation, Other FEM classes and reevings upon request

Motor Related Dimensions [mm] & Weights [kg]

Motor Type	AC	LBS	ADS	HBS	Weight Drive Unit
ZFB100/GHX250/4D132Mb-4 UL TT	270	475	190.5	83.5	223
ZFB150/GHX250/4D132Mc-4 UL TT	270	475	190.5	83.5	238
ZFB150/GHX250/4D132L-4 UL TT	270	545	190.5	83.5	255

Hoist Drive Unit GHX 250 - Inverter Operation

Drum Diameter 325 mm | Reeving 4/1

Output up to 12.5 (15.0) kW

Pos.	Load [t]	ISO	FEM	v [m/min]	P [kW]	f [Hz]	Ratio [-]	Torque [Nm]	Type
1	16	M5	2m	4.0 (4.8)	12.5 (15.0)	100 (120)	185.0	100	ZFB100/GHX250/4D132Mb-4 UL TT
	12.5	M6	3m						
	10	M7	4m						

Output up to 16.0 (19.2) kW

Pos.	Load [t]	ISO	FEM	v [m/min]	P [kW]	f [Hz]	Ratio [-]	Torque [Nm]	Type
1	20	M5	2m	4.0 (4.8)	16.0 (19.2)	100 (120)	185.0	150	ZFB150/GHX250/4D132Mc-4 UL TT
	16	M6	3m						
	12.5	M7	4m						
2	16	M5	2m	5.0 (6.0)	16.0 (19.2)	100 (120)	148.7	150	ZFB150/GHX250/4D132Mc-4 UL TT
	12.5	M6	3m						
	10	M7	4m						
3	12.5	M5	2m	6.3 (7.6)	16.0 (19.2)	100 (120)	118.7	150	ZFB150/GHX250/4D132Mc-4 UL TT
	10	M6	3m						
	8	M7	4m						

Output up to 20.0 (24.0) kW

Pos.	Load [t]	ISO	FEM	v [m/min]	P [kW]	f [Hz]	Ratio [-]	Torque [Nm]	Type
1	25	M5	2m	4.0 (4.8)	20.0 (24.0)	100 (120)	185.0	150	ZFB150/GHX250/4D132L-4 UL TT
	20	M6	3m						
	16	M7	4m						
2	20	M5	2m	5.0 (6.0)	20.0 (24.0)	100 (120)	148.7	150	ZFB150/GHX250/4D132L-4 UL TT
	16	M6	3m						
	12.5	M7	4m						
3	16	M5	2m	6.3 (7.6)	20.0 (24.0)	100 (120)	118.7	150	ZFB150/GHX250/4D132L-4 UL TT
	12.5	M6	3m						
	10	M7	4m						

Hoist Drive Unit GHX 250 - Inverter Operation

Drum Diameter 405 mm | Reeving 4/1

Output up to 12.5 (15.0) kW

Pos.	Load [t]	ISO	FEM	v [m/min]	P [kW]	f [Hz]	Ratio [-]	Torque [Nm]	Type
1	12.5	M5	2m	5.0 (6.0)	12.5 (15.0)	100 (120)	185.0	100	ZFB100/GHX250/4D132Mb-4 UL TT
	10	M6	3m						
	8	M7	4m						

Output up to 16.0 (19.2) kW

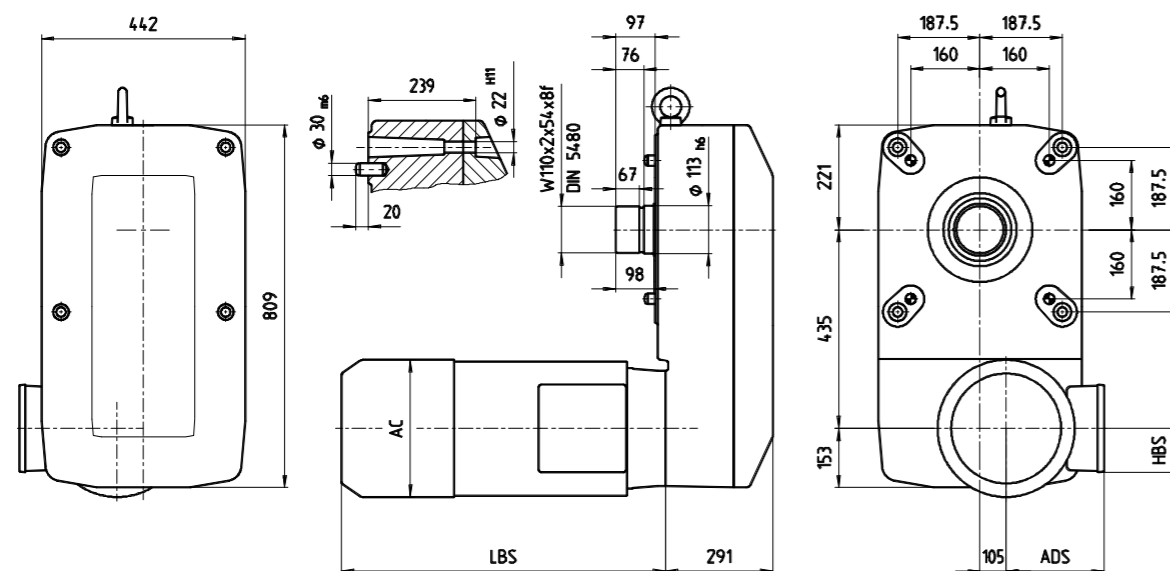
Pos.	Load [t]	ISO	FEM	v [m/min]	P [kW]	f [Hz]	Ratio [-]	Torque [Nm]	Type
1	16	M5	2m	5.0 (6.0)	16.0 (19.2)	100 (120)	185.0	150	ZFB150/GHX250/4D132Mc-4 UL TT
	12.5	M6	3m						
	10	M7	4m						
2	12.5	M5	2m	6.3 (7.6)	16.0 (19.2)	100 (120)	148.7	150	ZFB150/GHX250/4D132Mc-4 UL TT
	10	M6	3m						
	8	M7	4m						
3	10	M5	2m	8.0 (10.0)	16.0 (19.2)	100 (120)	118.7	150	ZFB150/GHX250/4D132Mc-4 UL TT
	8	M6	3m						
	6.3	M7	4m						

Output up to 20.0 (24.0) kW

Pos.	Load [t]	ISO	FEM	v [m/min]	P [kW]	f [Hz]	Ratio [-]	Torque [Nm]	Type
1	20	M5	2m	5.0 (6.0)	20.0 (24.0)	100 (120)	185.0	150	ZFB150/GHX250/4D132L-4 UL TT
	16	M6	3m						
	12.5	M7	4m						
2	16	M5	2m	6.3 (7.6)	20.0 (24.0)	100 (120)	148.7	150	ZFB150/GHX250/4D132L-4 UL TT
	12.5	M6	3m						
	10	M7	4m						
3	12.5	M5	2m	8.0 (10.0)	20.0 (24.0)	100 (120)	118.7	150	ZFB150/GHX250/4D132L-4 UL TT
	10	M6	3m						
	8	M7	4m						

Hoist Drive Unit GH 40000 - Two Speed

Dimensional Print



Technical Data

Lifting Capacity	Up to 40 t
Lifting Speed	2.6 / 3.3 / 4.2 at 4/1 reeving
Drum Diameter	405 mm
Motor Output	5.0 / 20 kW (8/2-pole)
Output Shaft	DIN 5480 - W110x2x54x8f
Protection Class	Motor IP65, brake IP54 (optional IP65)
Standard	PTC and thermal sensors Tropical and corrosion protection CE and UL/CSA approbation
Options	CSA approbation Other FEM classes and reevings upon request

Motor Related Dimensions [mm] & Weights [kg]

Motor Type	AC	LBS	ADS	HBS	Weight Drive Unit
ZFB155/GH40000/3D160Lb4Rx-8/2 UL TT	313	725	234.5	84	419

Hoist Drive Unit GH 40000 - Two Speed

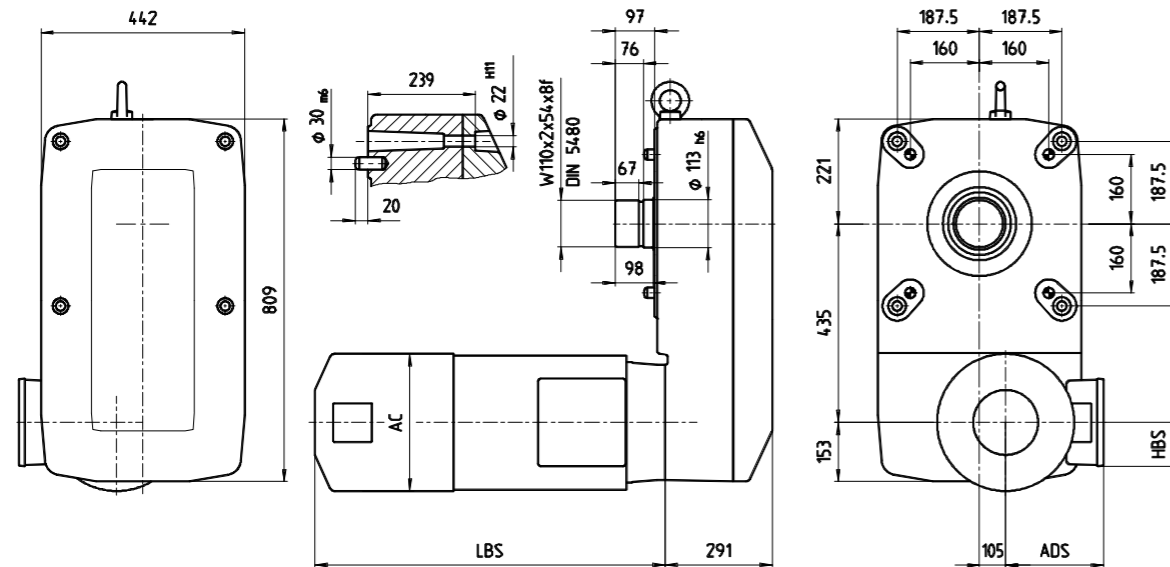
Drum Diameter 405 mm | Reeving 6/1

Output up to 20.0 (24.2) kW

Pos.	Load [t]	ISO	FEM	v [m/min]	P [kW]	f [Hz]	Ratio [-]	Torque [Nm]	Type
1	40	M5	2m	0.6 / 2.6 (0.8 / 3.2)	5.0 / 20.0 (6.0 / 24.2)	50 (60)	232.0	150	ZFB155/GH40000/3D160Lb4Rx-8/2 UL TT
	32	M6	3m						
	25	M7	4m						
	20	M7	4m						
2	32	M5	2m	0.8 / 3.3 (1.0 / 4.0)	5.0 / 20.0 (6.0 / 24.2)	50 (60)	182.6	150	ZFB155/GH40000/3D160Lb4Rx-8/2 UL TT
	25	M6	3m						
	20	M7	4m						
	16	M7	4m						
3	25	M5	2m	1.0 / 4.2 (1.3 / 5.1)	5.0 / 20.0 (6.0 / 24.2)	50 (60)	144.0	150	ZFB155/GH40000/3D160Lb4Rx-8/2 UL TT
	20	M6	3m						
	16	M7	4m						
	12.5	M7	4m						

Hoist Drive Unit GH 40000 - Inverter Operation

Dimensional Print



Technical Data

Lifting Capacity	Up to 40 t
Lifting Speed	4.9 / 6.2 / 7.6 m/min at 4/1 reeving High lifting speeds without load up to 200 Hz
Drum Diameter	405 mm
Motor Output	38.0 kW (4-pole @ 75 Hz), with forced ventilation
Output Shaft	DIN 5480 - W110x2x54x8f
Protection Class	Motor IP65, brake IP54 (optional IP65)
Standard	PTC and thermal sensors Tropical and corrosion protection CE approbation
Options	Encoder, Auxiliary fan, UL/CSA and CSA approbation, Other FEM classes and reevings upon request

Motor Related Dimensions [mm] & Weights [kg]

Motor Type	AC	LBS	ADS	HBS	Weight Drive Unit
ZFB252So/GH40000/3DG160LbR-4 FL UL TT	313	885	234.5	84	439

Hoist Drive Unit GH 40000 - Inverter Operation

Drum Diameter 405 mm | Reeving 4/1

Output up to 38.0 kW

Pos.	Load [t]	ISO	FEM	v [m/min]	P [kW]	f [Hz]	Ratio [-]	Torque [Nm]	Type
1	40	M4	1Am	0.8 - 4.9	38.0	75	144.0	350	ZFB252So/GH40000/3DG160LbR-4 FL UL TT
	32	M5	2m						
	25	M6	3m						
	20	M7	4m						
2	32	M5	2m	1.0 - 6.2	38.0	75	113.3	350	ZFB252So/GH40000/3DG160LbR-4 FL UL TT
	25	M6	3m						
	20	M7	4m						
	16	M7	4m						
3	25	M5	2m	1.3 - 7.6	38.0	75	92.1	350	ZFB252So/GH40000/3DG160LbR-4 FL UL TT
	20	M6	3m						
	16	M7	4m						
	12.5	M7	4m						

Drum Diameter 405 mm | Reeving 6/1

Output up to 38.0 kW

Pos.	Load [t]	ISO	FEM	v [m/min]	P [kW]	f [Hz]	Ratio [-]	Torque [Nm]	Type
1	63	M4	1Am	0.5 - 3.2	38.0	75	144.0	350	ZFB252So/GH40000/3DG160LbR-4 FL UL TT
	50	M5	2m						
	40	M6	3m						
	32	M7	4m						
2	50	M4	1Am	0.7 - 4.1	38.0	75	113.3	350	ZFB252So/GH40000/3DG160LbR-4 FL UL TT
	40	M5	2m						
	32	M6	3m						
	25	M7	4m						

Drum Diameter 405 mm | Reeving 8/1

Output up to 38.0 kW

Pos.	Load [t]	ISO	FEM	v [m/min]	P [kW]	f [Hz]	Ratio [-]	Torque [Nm]	Type
1	80	M4	1Am	0,4 - 2,4	38.0	75	144.0	350	ZFB252So/GH40000/3DG160LbR-4 FL UL TT
	63	M5	2m						
	50	M6	3m						
	40	M7	4m						



We drive the world

A dense network of international subsidiaries and sales offices in all major industrial countries ensure close contact with our customers around the world – and guarantee an excellent standard of service.

Kindly contact us for further detailed information.

ABM Greiffenberger Antriebstechnik GmbH
P.O. Box 140, D-95614 Marktredwitz

Phone: +49 9231 67-0
Fax: +49 9231 67-5145

www.abm-drives.com
e-mail: lifting@abm-drives.com



Member of  **senata Group**