



Measurement technology | METPOINT® DPM

METPOINT® DPM: sensor technology for precision pressure dew point measurement

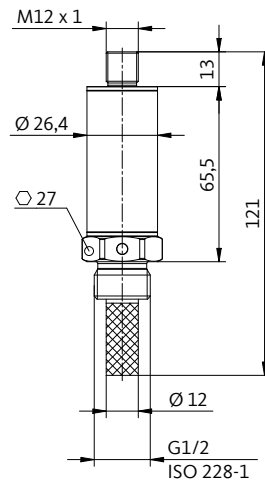
Sensor technology from BEKO TECHNOLOGIES enables you to accurately measure all relevant parameters at critical control points in your compressed air system. This information is indispensable for operators who want to improve the quality of their compressed air while saving energy and costs.

Do you use high-quality dry compressed air in your production process? This is generally the case in industries where very high hygiene standards must be maintained and where compressed air might even come into direct contact with the product. The METPOINT® DPM stationary pressure dew point transmitter measures the most critical parameters for compressed air and technical gases, namely temperature, relative humidity and dew point (down to $-60\text{ }^{\circ}\text{Ctd}$).



The METPOINT® DPM indicates whether components are working properly, and provides the basic data for the optimisation of your plant. The METPOINT® DPM therefore serves not only as a safety device in your process chain, it also helps you improve the efficiency of your production.

- › **Dew point measurement**
 - › Determines the dew point of your compressed air by measuring the relative humidity and temperature
 - › Provides information regarding faulty components
- › **Portable and stationary monitoring**
- › **High measuring accuracy**
- › **Continuous online measurement**
 - › Provides constant, up-to-date process data
- › **Guarantees safety along the process chain**
- › **Sturdy stainless steel housing for safe installation even in extremely demanding process environments**



All dimensions in mm

Technical data of SD23 pressure dew point sensors	
Measuring range	-60 ... +30 °Ctd
Max. permissible operating overpressure	50 bar [gauge]
Max. measuring error	± 4 K for -60 ... -50 °Ctd ± 3 K for -50 ... -30 °Ctd ± 2 K for -30 ... -10 °Ctd ± 1 K for -10 ... +30 °Ctd
t95 response time	< 10 sec (from dry to humid) < 40 sec (from humid to dry)
Power supply	14 ... 30 VDC
Load (load resistance)	RL = max. 416 Ω at 24 V DC
Output signal	4 ... 20 mA, analog, 4-wire
Output signal	0 ... 10 V, analog, 4-wire
Output signal	RS485, digital output, 4-wire
Process medium temperature	-30 °C ... +70 °C
Ambient temperature during operation:	-25 °C ... +60 °C
Storage and transport temperature:	-40 °C ... +85 °C
Ambient air humidity:	0 ... 95 %, no condensation

	DPM SD11 *	DPM SD21 *	DPM SD23 *
Measuring range	-20 ... +30 °Ctd	-60 ... +30 °Ctd	-60 ... +30 °Ctd
Output signal	4 ... 20 mA	4 ... 20 mA	RS485 / 4 ... 20 mA, 0 ... 10 V
Order no.	4029239	4024282	4024283

* Annual calibration recommended

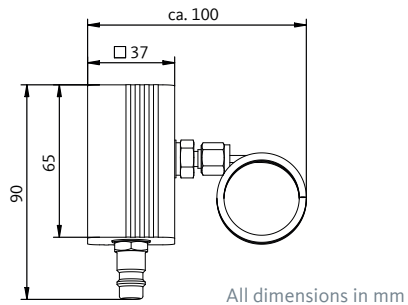
For METPOINT® DPM stationary	SD11 calibration *		SD21 calibration *		SD23 calibration *	
	Standard	Express **	Standard	Express **	Standard	Express **
Order no.	4032067	4032068	4032069	4032070	4032071	4032072

For METPOINT® DPM stationary	DP109 calibration *		DP207 calibration *		Third-party sensor calibration *
	Standard	Express **	Standard	Express **	Standard
Order no.	4027629	4027630	4027631	4027633	4032073

* Annual calibration recommended

** Express delivery, back within 3 days

Accessories for METPOINT® DPM



Measuring chamber for METPOINT® DPM	MK Basic PN16	MK Basic PN50
Material	aluminium	aluminium
Max. permissible operating pressure	16 bar [gauge]	50 bar [gauge]
Max. permissible temperature range pressure	10 ... 80 °C	10 ... 80 °C
Order no.	4026170	4027290

For METPOINT® DPM stationary	Connecting cable with plug (5 m) SD 11 SD21	Connecting cable with plug (5 m) SD23
Order no.	4025252	4025253

Our calibration service for your METPOINT® DPM

Transducers and transmitters are exposed to mechanical stress and temperature fluctuations. As a result, the measuring accuracy of sensors drifts, which means that the results become unreliable, so that production and product quality might no longer be properly monitored. **BEKO TECHNOLOGIES** offers customers a range of calibration services for volume flow sensors, dew point transmitters and pressure transducers. All devices are calibrated

in a tailor-made calibration process developed by **BEKO TECHNOLOGIES**, followed by ISO calibration. ISO calibration is based on reference measurements performed with externally provided test specimens and certified reference devices. All reference devices can be traced back to national standards. The relevant procedures and methods meet the requirements of the DIN EN ISO 9001 quality standard.



Do **you** have questions about the best way of processing your compressed air?

We have the answers! We offer efficient solutions for any type of processing chain. Please contact us with all your queries. We would be delighted to tell you more about our condensate

treatment, filtration, drying, measuring and process technology, and our comprehensive services.

Visit us at



BEKO TECHNOLOGIES GMBH
Im Taubental 7 | D-41468 Neuss

Tel. +49 2131 988 - 1000
info@beko-technologies.com
www.beko-technologies.com



Subject to technical changes without prior notice. Errors and omissions excepted.