



CHARACTERISTICS

Pump pressure:
- 35 bar (507 psi)

Flow rate:
- 0,06- 3 litre/min

Range of viscosity:
- from 20 to 750 mm²/s

IDEAL FOR

- Pumping of hydraulic oils

APPLICATIONS

- Oil circulation systems

- Hydraulic fluid units

GPU2

Gear pumps up to 3 litres flow rate and a maximum pumping pressure of 35 bar. This pump is designed for sub-base mount.

General

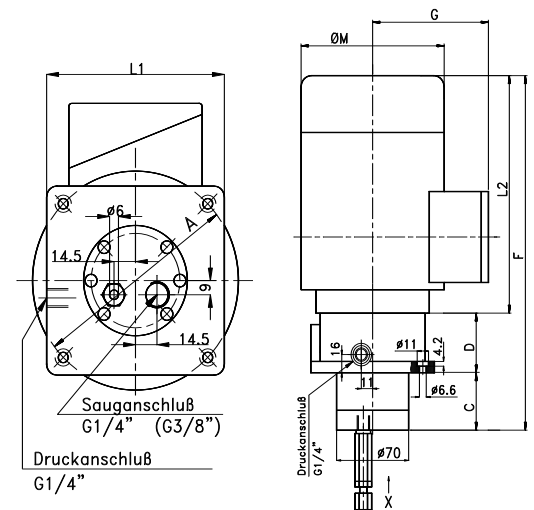
Type	Sub-base mount
Ambient temperature	From 32 to 176 °F (from 0 to 80 °C)
Protection class as per EN60529	IP 44

Hydraulic system

Operating pressure	35 bar (507 psi)
Flow rate	0,06- 3 l/min
Operating medium	Mineral oil
Range of viscosity	From 20 to 750 mm ² /s
Suction inlet	G1/4 (0,06-1,2 l/min) G3/8 (1,2 – 3 l/min)
Outlet	G1/4

Drive

Type of drive	Electrica
Supply voltage	3~ 400V
Frequency	50 Hz
Connection	Terminal board



Ordering information

Flow rate [l/min]	Engine output [KW]	Dimensions [mm]								Order number
		A	C	D	F	G	L1	L2	M	
0,06	0,18	110	37	42,5	236	107	100	156	109	P30014150
0,18	0,18	110	37	42,5	236	107	100	156	109	P30014151
0,25	0,18	110	37	42,5	236	107	100	156	109	P30014124
0,375	0,18	110	38,5	42,5	237	107	100	156	109	P30014152
0,5	0,18	110	40	42,5	239	107	100	156	109	P30014157
0,75	0,25	138	45	52,5	274	113	120	176	124	P30014160
1,0	0,25	138	45	52,5	274	113	120	176	124	P30014147
1,2	0,37	138	47	52,5	276	113	120	176	124	P30014325
1,5	0,37	110	47	52,5	276	113	110	176	124	P30014326
2,0	0,37	110	47	52,5	276	113	100	176	124	P30014332
3,0	0,55	138	50,5	52,5	312	113	120	209	139	P30014535