

DM 10

MAGNETIC DRIVE CENTRIFUGAL PUMPS



- Product designed and constructed in Italy
- Constructed in Polypropylene or PVDF
- Under head use
- Extremely easy to operate and maintain
- Suitable for continuous use



DM PUMPS CODES ENCODING

e.g. DM10P-SD1BE071

DM10 PP, standard thrust bearing, O-Ring EPDM, impeller \varnothing 98 mm, BSPP fitting, MEC motor flange, 071 casing.

DM10	P	S	D	1	B	E	071	T
PUMP MODEL	PUMP BODY	THRUST BEARING	O-RING	IMPELLER	FITTING	MOTOR FLANGE	CASING	MOTOR
DM06 DM10 DM15 DM30	P - Polypropylene FC - PVDF+CF	S - Standard (ceramic + PTFE Graphite)	D - EPDM V - Viton®	DM06 1= \varnothing 81 mm 2= \varnothing 70 mm 3= \varnothing 65 mm DM10 1= \varnothing 98 mm 2= \varnothing 85 mm 3= \varnothing 70 mm DM15 1= \varnothing 123 mm 2= \varnothing 108 mm 3= \varnothing 90 mm DM30 1= \varnothing 134 mm 2= \varnothing 122 mm 3= \varnothing 110 mm	N - NPT B - BSPP	E - MEC U - NEMA*	DM06 063 071 DM10 071 080 DM15 090 DM30 090 100 112	M - Single-phase** T - Three-phase A - ATEX** S - Without Motor

* Only pump available, with American flange, for coupling with NEMA motor

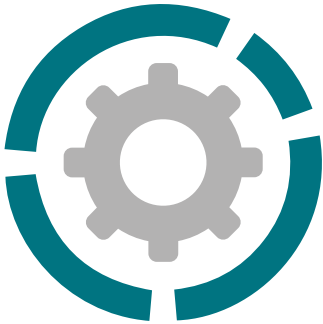
**On request

DM 10

MAGNETIC DRIVE CENTRIFUGAL PUMPS



Specifications and types



Suction fittings	1" 1/2 f BSPP or DN 40 - NPT
Delivery fittings	1" m BSPP or DN 25 - NPT
Max flow rate	13 m3/h
Min flow rate	1,2 m3/h
Max head	14 m
Viscosity up to	150 cps

PP



PVDF



Standard electric motor:

Kw 0,55 HP 0,75

Casing B3+B5

RPM 2900

Three-phase 230/400 V - 50/60 HZ

2 Poles IE2 Protection IP55

Ambient temperature -30°C + 45°C

Kw 0,75 HP 1

Casing B3+B5

RPM 2900

Three-phase 230/400 V - 50/60 HZ

2 Poles IE3 Protection IP55

Ambient temperature -30°C + 45°C

Kw 0,55 HP 0,75

Casing B3+B5

RPM 2900

Single-phase

Ambient temperature -30°C + 45°C

Kw 0,75 HP 1

Casing B3+B5

RPM 2900

Single-phase

Ambient temperature -30°C + 45°C

Electric motors available on request:

SINGLE-PHASE

ATEX

NEMA 56C* / 143TC*

*(Only pump available, with American flange, for coupling with NEMA motor - the motor is not included in our standard)

IMPELLER	Motor 0,55 Kw (3 HP)	Motor 0,75 Kw (4 HP)
Ø 98 mm (Standard)	up to 1,1 g/cm ³	up to 1,5 g/cm ³
Ø 85 mm	up to 1,6 g/cm ³	up to 2 g/cm ³
Ø 70 mm	up to 2 g/cm ³	up to 2 g/cm ³

Operating temperatures and weights:

PP	from -20°C to + 100°C, 2,2 Kg*
PVDF	from -20°C to + 100°C, 2,5 Kg*

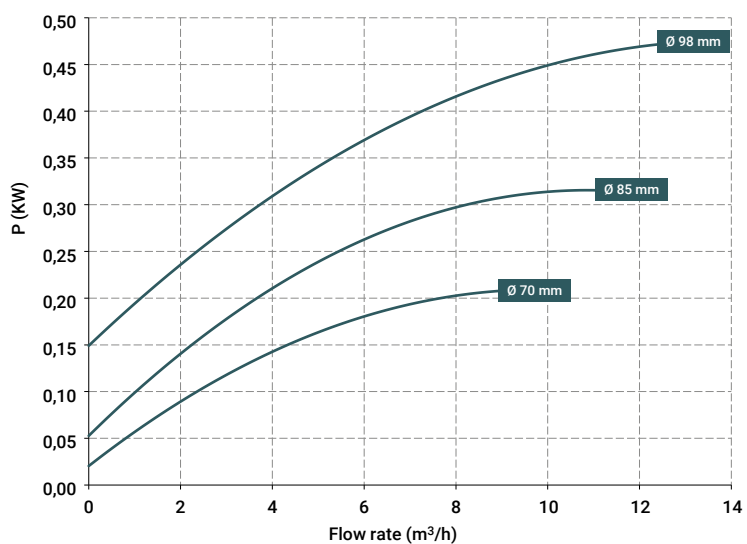
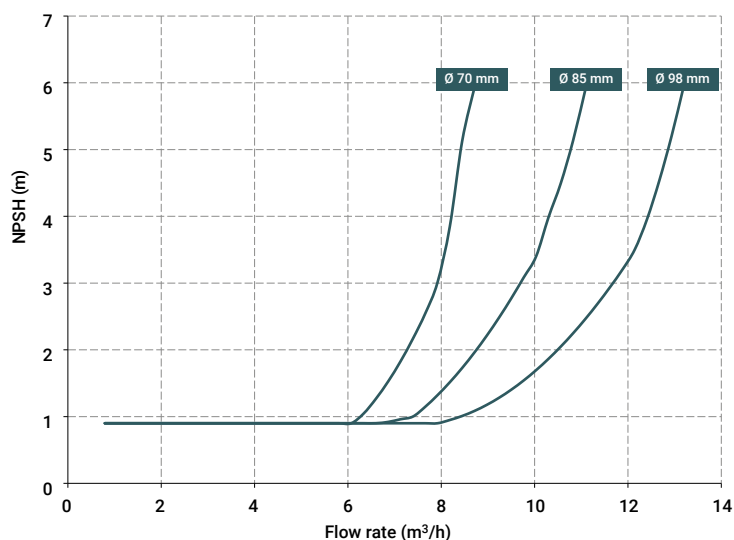
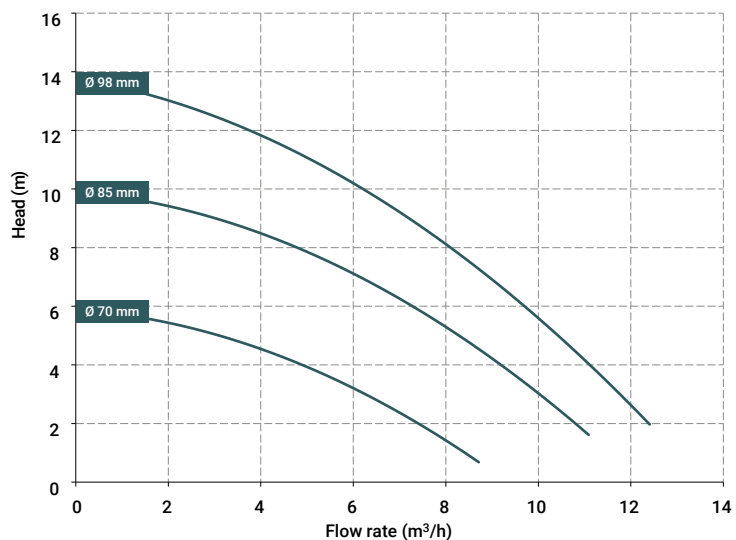
*The weights refer to the pump without the motor

DM 10

MAGNETIC DRIVE CENTRIFUGAL PUMPS



Specifications and types



The curves and performances refer to tested pumps, with water at 20 °C, two-pole motor 50 Hz (2900rpm).

DM 10

MAGNETIC DRIVE CENTRIFUGAL PUMPS



Specifications and types

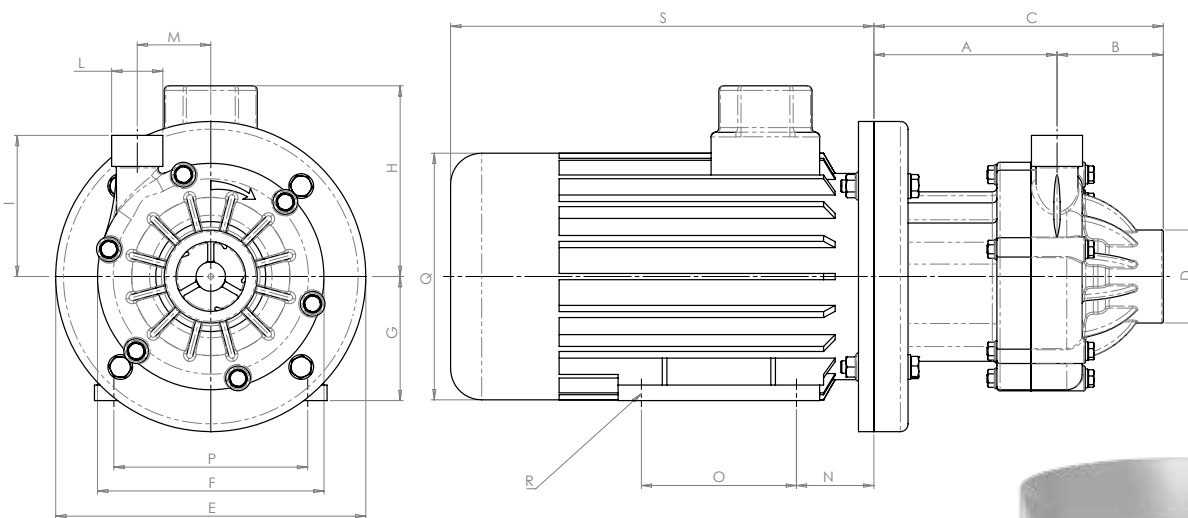
Length measurements in mm

MODEL	CASE	POWER	A	B	C	D	E*	F*	G*	H*	I	L	M	N*	O*	P*	Q*	R*	S*
DM10	IEC 71	0,55 Kw	116	68,5	184,5	1"1/2 f(**)	160	146	71	114	91	1"m(**)	47,4	45	90	112	135	7	225
DM10	IEC 80	0,75 Kw	116	68,5	184,5	1"1/2 f(**)	200	146	80	135	91	1"m(**)	47,4	50	100	125	158	10	230
DM10	NEMA 56C***	0,75 Hp	116	68,5	184,5	1"1/2 f(**)	-	146	-	-	91	1"m(**)	47,4	-	-	-	-	-	-
DM10	NEMA 143TC***	1,00 Hp	116	68,5	184,5	1"1/2 f(**)	-	146	-	-	91	1"m(**)	47,4	-	-	-	-	-	-

* Measurements may vary depending on the motor supplier.

** NPT or BSPP gas

***Warning: if you decide to combine the pump with a NEMA motor, the pump is delivered with a suitable coupling flange, but not the NEMA motor, which is not included in our standard supply.



Sealing O-ring materials:

- EPDM
- VITON®

Packaging:

- Pump with 0,55 Kw motor
- Wooden case size 50 x 25 x 35 cm - Weight 7 Kg
(the weight refers only to the packaging without the pump inside)
- Pump with 0,75 Kw motor
- Wooden case size 55 x 28 x 42 cm - Weight 10 Kg
(the weight refers only to the packaging without the pump inside)

Accessories:

- Flange kit (DIN flanges - ANSI on request)



UNDER HEAD USE

MAIN APPLICATION SECTORS



AUTOMOTIVE



CHEMICAL INDUSTRY



GALVANIC AND ELECTRONIC INDUSTRY



WATER AND SLUDGE TREATMENT

● DM06 ● DM10 ● DM15 ● DM30