



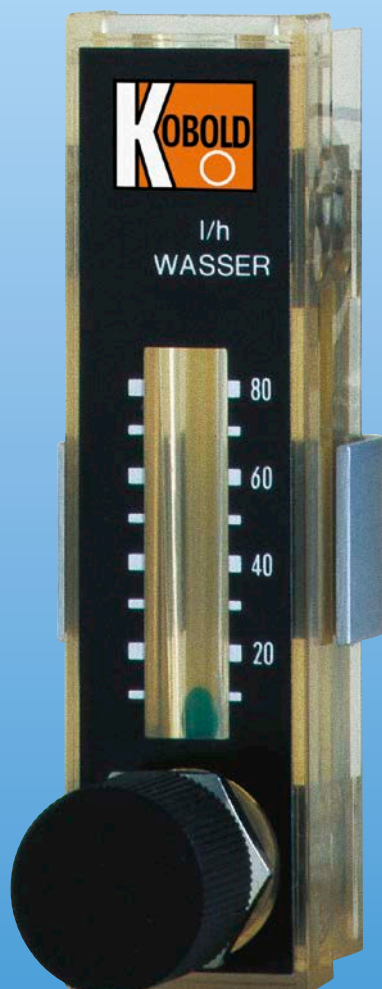
Flowmeters for very Low Flows

with and without control valve



measuring
•
monitoring
•
analysing

KSV



- Measuring ranges:
water 0.25 - 1.5 ... 10 - 80 l/h
air 20 - 80 NI/h ... 0.5 - 2.4 Nm³/h
- Accuracy: ± 6% of full scale
- p_{max}: 6 bar; t_{max}: +120 °C
- Connection: 1/8" NPT female
- Materials:
polysulfone and brass
polysulfone and stainless steel



IS

KOBOLD companies worldwide:

AUSTRALIA, AUSTRIA, BELGIUM, BULGARIA, CANADA, CHINA, CZECHIA, FRANCE, GERMANY, GREAT BRITAIN, HUNGARY, INDIA, INDONESIA, ITALY, MALAYSIA, MEXICO, NETHERLANDS, PERU, POLAND, REPUBLIC OF KOREA, RUSSIA, SPAIN, SWITZERLAND, THAILAND, TUNISIA, TURKEY, USA, VIETNAM

KOBOLD Messring GmbH
Nordring 22-24
D-65719 Hofheim/Ts.
Head Office:
+49(0)6192 299-0
+49(0)6192 23398
info.de@kobold.com
www.kobold.com



Description

The flowmeter and switch for very low flows model KSV for liquids or air operates on the suspended float principle.

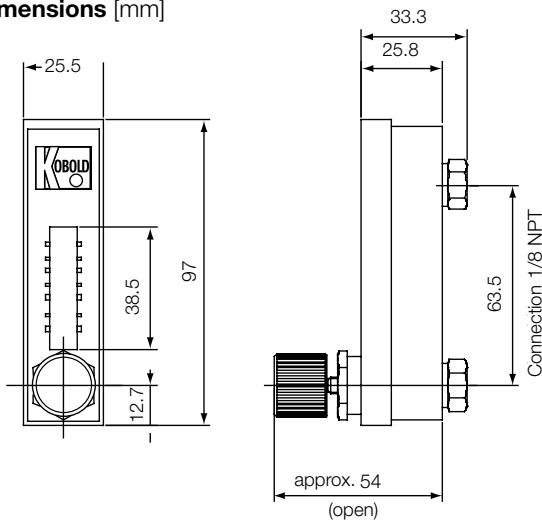
The direction of flow is from bottom to top, and the installation position is vertical. The indication point is the upper edge of the ball.

The device has been designed as a simple and thus economical measuring system. The optional needle valve allows economical control. The device has been designed for panel mounting.

Advantages

- Acid and caustic-proof
- Suitable for sterilisation (120 °C)
- Shock resistant
- Small size
- Light weight
- Easy to install

Dimensions [mm]



Panel cut-out: 93 + 0.5 mm x 23 + 0.5 mm

Technical Details

- Connection: 1/8" NPT female
- Option: hose connector, Ø 8 mm, polyamide straight version (order no. ...G) angle version (order no. ...W) plastic compression fitting (order no. ...K)
- Inlet and outlet: horizontal
- Measuring accuracy: ±6 % of full scale value
- Repeatability: 1 % of full scale value
- Operating pressure: max. 6.0 bar (device is not suitable for vacuum pressure)
- Operating temperature: polysulfone: -20 °C ... +120 °C

Material combinations

	Housing	Connection	O-rings
III	Polysulfone	Brass, nickel-plated	NBR
IV	Polysulfone	Stainless steel 1.4305	FPM

Order Details (Example: **KSV 1404 L**, material combination IV (PSU, VA) with control valve. Meas. range 50-150 NI/h air)

Water [l/h]	Float	With control valve material combination		Without control valve material combination		Air (add suffix »..L« to code) [NI/h*]
		III	IV	III	IV	
0.25 - 1.5	Glass	KSV 1301	KSV 1401	KSV 2301	KSV 2401	20 - 80
1 - 4	St. steel	KSV 1304	KSV 1404	KSV 2304	KSV 2404	50 - 150
0.5 - 6	Glass	KSV 1306	KSV 1406	KSV 2306	KSV 2406	50 - 300
2.5 - 15	St. steel	KSV 1316	KSV 1416	KSV 2316	KSV 2416	50 - 500
5 - 30	Titanium	KSV 1335	KSV 1435	KSV 2335	KSV 2435	0.35 - 1.5 Nm³/h
10 - 80	Hard metal	KSV 1380	KSV 1480	KSV 2380	KSV 2480	0.5 - 2.4 Nm³/h

Option: hose connector, straight version item code. suffix »...G« / angle version item code suffix »...W«.

Plastic coupling for PE and PP (polypropylene) piping ND 6 mm with box nut suffix »...K«.

*At 1.2 bar abs.: 20 °C